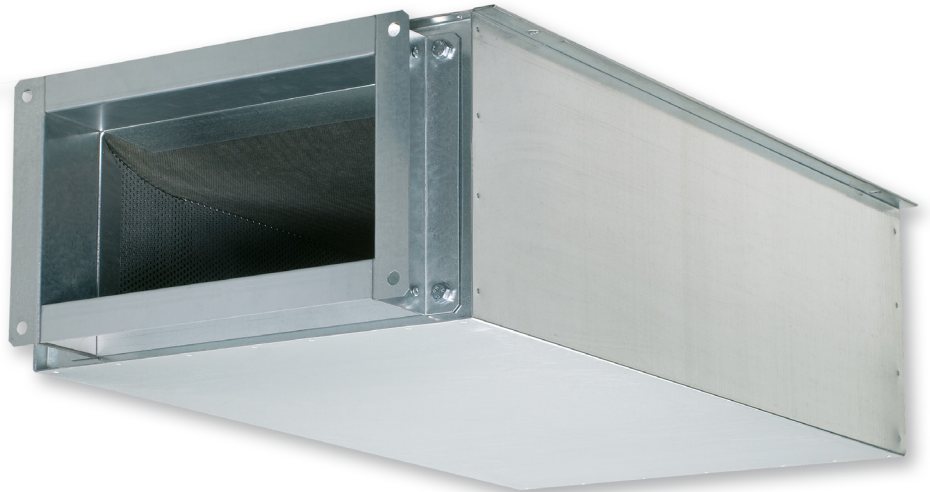


# Secondary silencers for VAV terminal units Type TS



## For the reduction of air-regenerated noise of air terminal units Type TVZ, TVA, TZ-Silenzio, TA-Silenzio or TVM

Rectangular secondary silencers for the reduction of air-regenerated noise of air terminal units Type TVZ, TVA, TZ-Silenzio, TA-Silenzio or TVM

- Absorption material is non-combustible mineral wool with RAL quality mark, biosoluble and hence hygienically safe according to the German TRGS 905 (Technical Rules for Hazardous Substances) and EU directive 97/69/EG
- Mineral wool faced with glass fibre fabric as protection against erosion due to airflow velocities up to 20 m/s
- Insertion loss measured according to ISO 7235
- Casing air leakage to EN 15727, class B



Tested to VDI 6022

Type		Page
TS	General information	TS – 2
	Specification text	TS – 3
	Order code	TS – 4
	Dimensions and weight	TS – 5
	Product details	TS – 6
	Basic information and nomenclature	TS – 7

### Application

#### Application

- Secondary silencers of Type TS to reduce the air-regenerated noise of air terminal units
- For air terminal units TVZ, TVA, TZ-Silenzio,

TA-Silenzio, and TVM

#### Nominal sizes

- 125, 160, 200, 250, 315, 400

### Description

#### Parts and characteristics

- Casing
- Absorption material

#### Construction features

- Rectangular casing
- Connection on the room end suitable for air duct profiles
- Thermal and acoustic insulation (lining)

#### Materials and surfaces

- Casing made of galvanised sheet steel
- Lining is mineral wool

Mineral wool

- To EN 13501, fire rating class A1, non-combustible
- RAL quality mark RAL-GZ 388

- Biosoluble and hence hygienically safe according to the German TRGS 905 (Technical Rules for Hazardous Substances) and EU directive 97/69/EG
- Faced with glass fibre fabric as protection against erosion through airflow velocities of up to 20 m/s
- Inert to fungal and bacterial growth

#### Standards and guidelines

- Hygiene conforms to VDI 6022
- Casing air leakage to EN 15727, class B

#### Maintenance

- Maintenance-free as construction and materials are not subject to wear

This specification text describes the general properties of the product. Texts for variants can be generated with our Easy Product Finder design programme.

---

Rectangular secondary silencers for VAV terminal units to reduce the air-regenerated noise, available in 6 nominal sizes  
Casing with acoustic and thermal insulation.  
Flanges on both sides, suitable for duct connection.  
Casing air leakage to EN 15727, class B.  
Complies with VDI 2083, clean room class 3, and US standard 209E, class 100. Hygiene complies with VDI 6022, DIN 1946, part 4, as well as EN 13779 and VDI 3803.

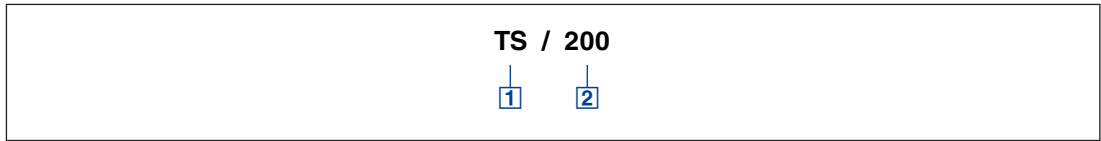
#### **Materials and surfaces**

- Casing made of galvanised sheet steel
- Lining is mineral wool

#### **Mineral wool**

- To EN 13501, fire rating class A1, non-combustible
- RAL quality mark RAL-GZ 388
- Biosoluble and hence hygienically safe according to the German TRGS 905 (Technical Rules for Hazardous Substances) and EU directive 97/69/EG
- Faced with glass fibre fabric as protection against erosion through airflow velocities of up to 20 m/s
- Inert to fungal and bacterial growth

TS



**1** Type

TS Secondary silencer

**2** Nominal size

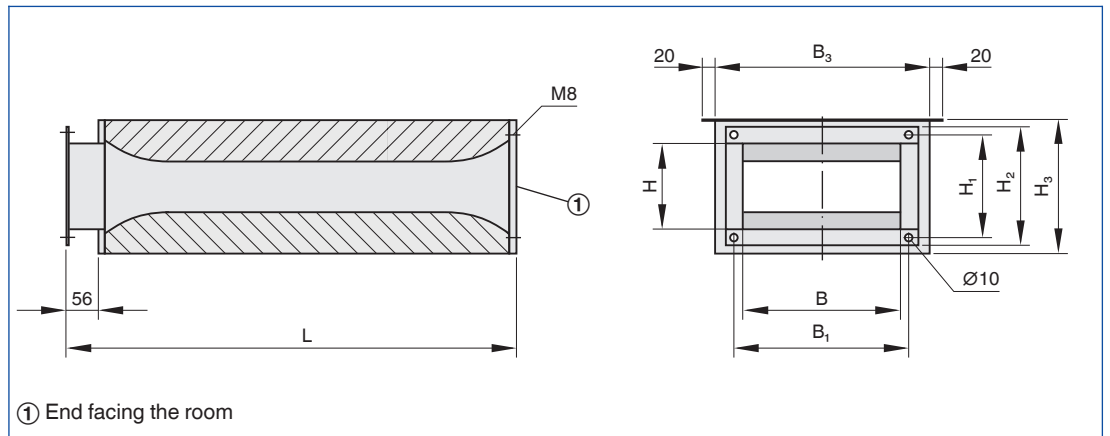
- 125
- 160
- 200
- 250
- 315
- 400

**Order example: TS/200**

Nominal size

200 mm

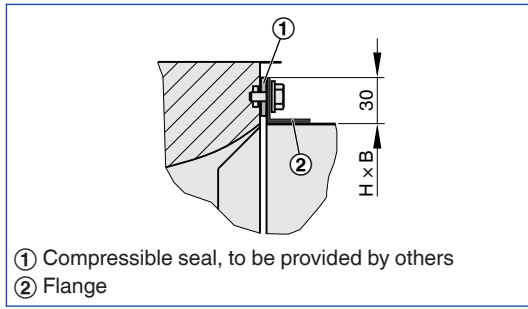
TS



TS

Nominal size	L	B <sub>3</sub>	H <sub>3</sub>	B	B <sub>1</sub>	H	H <sub>1</sub>	m
	mm	mm	mm	mm	mm	mm	mm	
125	806	300	236	198	232	152	186	10
160	806	410	236	308	342	152	186	15
200	956	560	281	458	492	210	244	22
250	956	700	311	598	632	201	235	37
315	1056	900	361	798	832	252	286	42
400	1306	1000	446	898	932	354	388	50

Detail of flange



**Principal dimensions**

**ØD [mm]**

VAV terminal units made of stainless steel:  
Outside diameter of the spigot  
VAV terminal units made of plastic: Inside  
diameter of the connecting spigot

**ØD<sub>1</sub> [mm]**

Pitch circle diameter of flanges

**ØD<sub>2</sub> [mm]**

Outside diameter of flanges

**ØD<sub>4</sub> [mm]**

Inside diameter of the screw holes of flanges

**L [mm]**

Length of unit including connecting spigot

**L<sub>1</sub> [mm]**

Length of casing or acoustic cladding

**B [mm]**

Duct width

**B<sub>1</sub> [mm]**

Screw hole pitch of flange (horizontal)

**B<sub>2</sub> [mm]**

Outside dimension of flange (width)

**B<sub>3</sub> [mm]**

Width of device

**H [mm]**

Duct height

**H<sub>1</sub> [mm]**

Screw hole pitch of flange (vertical)

**H<sub>2</sub> [mm]**

Outside dimension of flange (height)

**H<sub>3</sub> [mm]**

Unit height

**n [ ]**

Number of flange screw holes

**T [mm]**

Flange thickness

**m [kg]**

Unit weight including the minimum required  
attachments (e.g. Compact controller)