

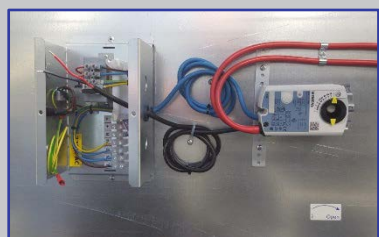
# Transformer 240V to 24VAC

## Item 124073T



### For site fitting for VAV units fitted with 24V volume controllers

- 240VAC 25VA transformer – fused 1 A (T)
- Fuse holder with 1 A (T) fuse
- 6 way terminal block
- IP20
- Wiring diagram 00X227
- CE marked



Transformer for 24VAC  
VAV controllers

## Application

240VAC transformer in enclosure for 24VAC  
VAV controller actuators

---

## Description

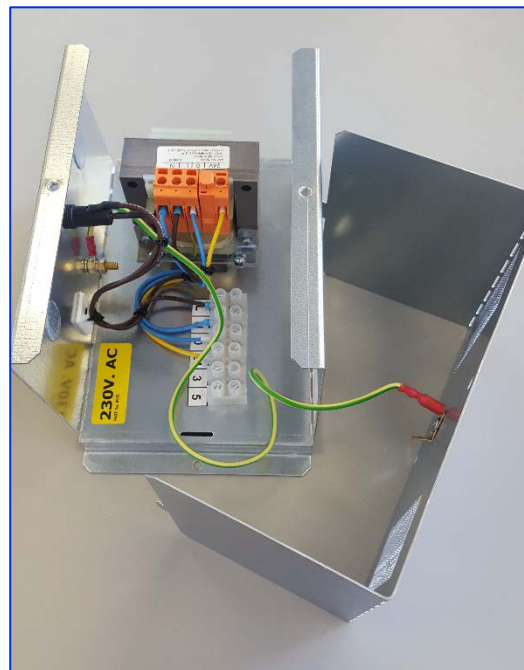
### Materials and surfaces

Galvanised sheet steel construction

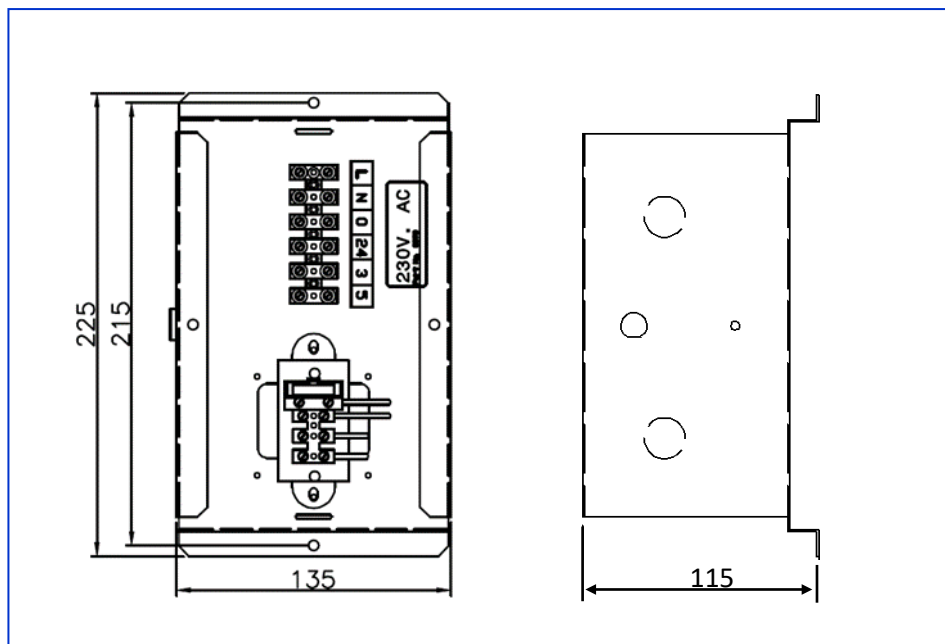
- Casing made of galvanised sheet steel
- Lid secured with 2 screws

### Standards and guidelines

- BS 7671:2018 18<sup>th</sup> Edition Wiring Regulations



### Transformer type 124073T



Nominal size	135 x 225 mm
Input Voltage	240VAC +/-10%
Output voltage	24VAC
Volt amperes	25VA
IP Rating	IP20
Operating temperature	10 – 50 °C