

# Control component

## BURN



### Control component with static transducer and separate actuator for VAV terminal units for room pressure control

Universal device for use with VAV terminal units

- Controller and static differential pressure transducer are fitted together in one casing
- Separate actuator with simple plug connection
- Use in ventilation and air conditioning systems, with clean and contaminated air
- Room pressure control -10 to -50 Pa or +10 to +50 Pa
- Constant value control  $\Delta_{pmin}$  or variable control  $\Delta_{pmin} - \Delta_{pmax}$
- Operating parameters  $\Delta_{pmin}$  and  $\Delta_{pmax}$  are set in the factory and saved in the controller
- Activation of override controls via external wiring
- Modification of operating parameters by PC software as well as the smartphone and tablet app (TROX FlowCheck app)
- Service access for PC configuration software
- Smartphone access via NFC interface and Bluetooth
- Setpoint value settings, override controls and parameter adjustment via analogue interface or bus communication
- High data transparency through standardised bus communication Modbus RTU, BACnet MS/TP or MP bus



General information	2	Variants	7
Function	4	Technical data	9
Specification text	5	Product details	25
Order code	6	Explanation	37

## General information

### Application

- All-in-one control engineering device for VAV terminal units for room pressure control in ventilation and air conditioning systems with non-critical (sufficient) room leakage
- Control range: negative pressure range -10 to -50 Pa or positive pressure range +10 to +50 Pa
- Switchover of setpoint setting between positive and negative pressure by means of Modbus-/BACnet network data points
- Static differential pressure transducer and controller electronics combined in one casing
- Separate actuator with prefabricated connection plug
- For use with clean and contaminated air
- Variable room pressure control by specifying setpoint values via communication interfaces or analogue signal e.g. from the central building management system
- Room pressure control with constant value by set operating value
- Override controls for activating  $\Delta_{p_{max}}$ ,  $\Delta_{p_{min}}$ , shut-off, control stop, OPEN position via Modbus/BACnet register or partly with switch or relay possible
- Room pressure actual value is available as a network data point or linear voltage signal
- Damper blade position is available as a network data point
- Use the TROX FlowCheck app and PC tool to configure the controller and the communication parameters

### Control strategy

- Room pressure control for positive or negative pressure operation
- Nominal pressure  $\Delta_{p_{Nom}}$ :
  - At positive pressure:  $\Delta_{p_{Nom}} = 75 \text{ Pa}$
  - At negative pressure:  $\Delta_{p_{Nom}} = -75 \text{ Pa}$
- Reference point for the output signal:  $\Delta_{p_{Nom}}$
- Room pressure fluctuations are controlled, e.g. by changing volume flow requirements
- To prevent the control from becoming unstable, a dead band is allowed within which the damper blade does not move
- $\Delta_{p_{min}}$ : selected operating value of minimum room pressure or constant value
- $\Delta_{p_{max}}$ : selected operating value of maximum room pressure
- Operating parameters are specified via the order code and set in the factory

### Interface

#### Analogue interface

- Analogue interface with adjustable signal voltage range
- Analogue signal for pressure setpoint value
- Analogue signal for actual pressure value

#### Digital communication interface (Bus)

- Modbus RTU, RS485
- BACnet MS/TP, RS485
- MP bus
- Data points, see bus lists

#### Hybrid mode

- Mixed mode of analogue and digital interface

#### Factory setting

- Setpoint value setting via analogue interface
- Actual value output via analogue interface and Modbus communication interface

### Operating modes

#### Variable operation (V)

- Setpoint value setting via analogue signal, Modbus, BACnet or MP-Bus: operating range corresponds to  $\Delta_{p_{min}} - \Delta_{p_{max}}$

#### Constant value mode (F)

- A setpoint signal is not required, setpoint value corresponds to  $\Delta_{p_{min}}$

### Operating parameters

Recommended control range, factory-set so that adjustment behaviour is fully visible in the output signal:

- At positive pressure:  $\Delta_{p_{min}} = 10 \text{ Pa} - 50 \text{ Pa}$ ,  $\Delta_{p_{max}} = 15 \text{ Pa} - 50 \text{ Pa}$
- At negative pressure:  $\Delta_{p_{min}} = -10 \text{ Pa} - -50 \text{ Pa}$ ,  $\Delta_{p_{max}} = -15 \text{ Pa} - -50 \text{ Pa}$

Possible setting range, adjustable by others:

- At positive pressure:  $\Delta_{p_{min}} = 0 \text{ Pa} - 75 \text{ Pa}$ ,  $\Delta_{p_{max}} = 15 \text{ Pa} - 75 \text{ Pa}$
- At negative pressure:  $\Delta_{p_{min}} = 0 \text{ Pa} - -75 \text{ Pa}$ ,  $\Delta_{p_{max}} = -15 \text{ Pa} - -75 \text{ Pa}$

### Signal voltage ranges

- 0 – 10 V DC
- 2 – 10 V DC

### Parts and characteristics

- Transducer for static measurement principle
- Separate drive, overload-proof
- Plug-in terminals for supply line and controls including cover
- Socket for the actuator
- NFC and service interface
- Release button to allow for manual operation
- Indicator lights for displaying the operating mode
- Addressing key for setting user addresses in bus mode
- Controller casing prepared with 4 openings for threaded connections, 2 cable glands M16 x 1.5 for connecting cable in the supply package
- Controller casing can be opened without tools

**Construction**

BURN with actuator LM24A-VST for:

- TVR, TZ-Silenzio, TA-Silenzio, TVZ, TVA,
- TVRK up to nominal size 250

BURN with actuator NM24A-VST for:

- TVJ
- TVT up to dimension 1000 × 300 or 800 × 400
- TVRK nominal size 315 - 400

BURN with actuator SM24A-VST for:

- TVT from dimensions of 800 × 500 to 1000 × 600

**Commissioning**

- Due to the room pressure operating values set at the factory, it must always be ensured that the control units are only installed at the intended locations
- Modbus/BACnet/MP bus interface: additional commissioning steps required
- Operating parameters can be adjusted using the TROX FlowCheck app

**Useful additions**

- Smartphone app for Android and iOS
- Adjustment device type ZTH-EU (order code AT-VAV-B)
- Belimo PC-Tool
- NFC Bluetooth converter ZIP-BT-NF

## Function

### Application area room pressure controller

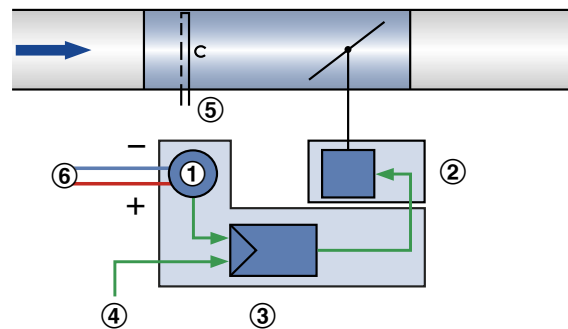
Modern industrial production facilities with clean room requirements or (laboratory) rooms in research and development often require precise room pressure control, especially since these rooms are often designed to be quite air-tight.

The aim here is to meet the specified ventilation requirements with regard to maintaining defined positive pressure or negative pressure conditions. A simple volume flow control is not sufficient for this. A room pressure controller with permanent pressure measurement and pressure control by adjusting the throttle position on the controller is required.

### Function of a room pressure controller

A static differential pressure transducer converts the room pressure into a voltage signal. The differential pressure actual value is available as a voltage signal. The factory setting is such that 10 V DC always corresponds to the nominal differential pressure ( $\Delta_{pNom}$ ). The differential pressure setpoint value is either a constant value or it comes from a setpoint adjuster or from switch contacts. The controller compares the differential pressure setpoint value to the actual value and controls the actuator accordingly. Differential pressure parameters and signal voltage range are stored in the control component. Changes made by the customer can easily be made with the TROX FlowCheck App, an adjustment device or a notebook.

### Principle of operation Universal controller for room pressure control: TVR, TVJ, TVT, TZ-/TA-Silenzio, TVZ, TVA, TVRK



- ① Differential pressure transducer
- ② Actuator
- ③ Differential pressure controller
- ④ Setpoint value signal or constant value
- ⑤ Differential pressure sensor of the VAV terminal unit  
(unused, depending on type and variant possibly not accessible or not available)
- ⑥ Differential pressure connection at the transducer of the control component:
  - Use plus connection side for room pressure measuring point
  - Use the minus connection side for the constant pressure reference measurement point

## Specification text

This specification text describes the general properties of the product.

### Category

- Universal controller for room pressure

### Application

- Control of a constant or variable room pressure setpoint
- Electronic controller for connecting a reference value and tapping an actual value signal
- The actual value signal relates to the nominal pressure such that commissioning and subsequent adjustment are simplified
- Stand-alone operation or integration in central building management system

### Area of application

- Room pressure control for ventilation and air conditioning systems in the range from -10 to -50 Pa or +10 to +50 Pa (integrated static transducer)

### Actuator

- Actuator slow-running; running time 120s for 90°

### Installation orientation

- Either direction

### Connection

- Pluggable connection terminals; no additional terminal box required

### Supply voltage

- 24 V AC/DC

### Interface/signalling

Analogue signal:

- 0 – 10 V DC or 2 – 10 V DC

Bus interface:

- Modbus RTU

- BACnet MS/TP
- MP bus

### Interface information

Analogue signal:

- Room pressure setpoint and actual value

Bus interface:

- Room pressure setpoint and actual value
- Damper blade position
- Fault status

### System connections

MP-Bus for optional extensions

- Gateways for LonWorks, Modbus, BACnet, KNX, e.g. Belimo UK24xxx
- Fan optimiser e.g. Belimo COU24-A-MP

### Special functions

- Activation  $\Delta_{pmin}$ ,  $\Delta_{pmax}$ , Closed, Open, Control Stop by means of external switch contacts/wiring or bus communication

### Parameter setting

Parameters specific to VAV terminal unit set at the factory

- Factory-set nominal pressure
- Operating values  $\Delta_{pmin}$ ,  $\Delta_{pmax}$  factory-set
- Factory-set signal characteristic

Subsequent adaptation possible with

- TROX FlowCheck app (NFC or Bluetooth with optional adapter)
- PC software

### Factory condition

- Electronic controller factory set on control unit
- Factory set, certified with sticker
- Controller in OPEN position

Order code

TVR – D / 200 / D2 / BURN / PRS / V 0 / Pmin – Pmax Pa  
 | 1 | 2 | 5 | 6 | 7 | 8 | 9 | 10 | 11

**1 Type**

**TVR** VAV terminal unit

**2 Acoustic cladding**

No entry required: None  
**D** With acoustic cladding

**3 Material**

Galvanised sheet steel (Standard construction)  
**P1** Powder-coated RAL 7001, silver grey  
**A2** Stainless steel construction

**5 Nominal size [mm]**

**100, 125, 160, 200, 250, 315, 400**

**6 Accessories**

No entry required: None  
**D2** Double lip seal both sides  
**G2** Matching flanges both sides

**Order example: TVR/100/D2/BURN/PRS/V0/-10 – -50 Pa**

Acoustic cladding	Without
Material	Galvanised sheet steel
Nominal size	100 mm
Accessories	Double lip seal both sides
Attachment	VARYCONTROL Universal controller room pressure, static transducer
Equipment function/installation location	Room pressure control, supply air
Operating mode	Variable operation, signal voltage range 0 –10 V DC
Operating values	Negative differential pressure $\Delta_{pmin} = -10 \text{ Pa}$ $\Delta_{pmax} = -50 \text{ Pa}$

**Order example: TVJ-D/600×300/BURN/PRE/F2/25 Pa**

Acoustic cladding	With
Material	Galvanised sheet steel
Nominal size	600 × 300 mm
Accessories	Double lip seal both sides
Attachment	VARYCONTROL Universal controller room pressure, static transducer
Equipment function/installation location	Room pressure control, extract air
Operating mode	Constant value mode, signal voltage range 2 – 10 V DC
Operating values	Positive pressure 25 Pa

**7 Attachments (control components)**

**BURN** Universal controller room pressure (VARYCONTROL)

**8 Equipment function/Installation location**

**PRE** Room pressure control, extract air  
**PRS** Room pressure control, supply air

**9 Operating mode**

**F** Constant value (a setpoint value)  
**V** Variable (setpoint value range)

**10 Signal voltage range**

**0** 0 – 10 V DC  
**2** 2 – 10 V DC

**11 Operating values for factory setting**

Room pressure in Pa  
 Values for positive pressure: positive sign  
 Values for negative pressure: negative sign  
 $\Delta_{pconst}$  (only with operating mode F)  
 $\Delta_{pmin}$  (only with operating mode V)  
 $\Delta_{pmax}$  (only with operating mode V)

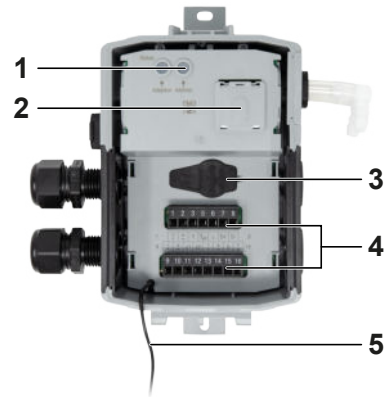
## Variants

Universal controller, type VRU-M1R-M/B TR



- ① Adaptation key
- ② Actuator connection socket
- ③ NFC interface
- ④ Dummy cover (not in use)
- ⑤ Cable glands (separate supply and control)
- ⑥ Fixing holes
- ⑦ Differential pressure connection

Universal controller, type VRU-\*\*\*-M/B TR (terminal cover opened)



- ① Yellow status LED; address confirmation (only with MP-Bus operation)
- ② Magnetic holder for ZIP-BT-NFC
- ③ Service socket
- ④ Pluggable terminal strips
- ⑤ Cover fixing (safety cable)

Actuator LM24A-VST TR, 5 Nm



- ① Clamping device (spindle)
- ② Casing actuator
- ③ Gear release
- ④ Connecting cable
- ⑤ Plug connection, controller

Actuator NM24A-VST TR, 10 Nm



- ① Clamping device (spindle)
- ② Casing actuator
- ③ Gear release
- ④ Connecting cable
- ⑤ Plug connection, controller

## Actuator SM24A-VST TR, 20 Nm



- ① Clamping device (spindle)
- ② Casing actuator
- ③ Gear release
- ④ Connecting cable
- ⑤ Plug connection, controller



## Technical data

### Universal controller for VAV terminal units

–	Controller		Actuator		–
Order code detail	Part number	Type	Part number	Type	VAV terminal units
BURN	A00000073654	VRU-M1R-M/B TR	A00000076423	LM24A-VST TR	①
BURN	A00000073654	VRU-M1R-M/B TR	A00000073640	NM24A-VST TR	②
BURN	A00000073654	VRU-M1R-M/B TR	A00000073642	SM24A-VST TR	③

①  
TVR, TZ-Silenzio, TA-Silenzio, TVZ, TVA  
TVRK nominal size 125 – 250

②  
TVJ, TVT up to dimensions of 1000 × 300 or 800 × 400  
TVRK nominal size 315 – 400

③  
TVT dimensions from 800 × 500 to 1000 × 600

Universal controller, type VRU-M1R-M/B TR



Universal controller, type VRU-M1R-M/B TR

Type of measurement/installation orientation	static measuring principle, position-independent
Nominal pressure	-75 Pa or +75 Pa depending on the selected operating range
Pressure regulation range	-10 Pa - -50 Pa or +10 Pa - +50 Pa depending on selected operating range
Nominal voltage	AC/DC 24 V
Rated voltage frequency	50/60 Hz
Functional range	19.2 - 28.8 V AC or 21.6 - 28.8 V DC
Power consumption (when running/when idle)	1.5 W
Power requirement dimensioning	2 VA plus connected VST drive
Power consumption dimensioning note	$I_{max}$ 20 A @ 5 ms
Drive connection	AC/DC supply through controller, PP-Link VST drive
Bus connection	<b>Modbus RTU*</b> , BACnet MS/TP, MP-Bus
Modbus RTU communication parameters to be set	Baud rate: 9600, 19200, <b>38400*</b> , 76800, 115200; Address: <b>1*</b> , 2.3 – 247; Parity: <b>1-8-N-2*</b> , 1-8-N-1, 1-8-E-1, 1-8-O-1; Number of nodes: maximum 32 (without repeater) Terminal resistor: 120 Ω, integral, can be activated
BACnet MS/TP communication parameters to be set	Baud rate: 9600, 19200, <b>38400*</b> , 76800, 115200; Address: <b>1*</b> , 2.3 – 127; Number of nodes: maximum 32 (without repeater) Terminal resistor: 120 Ω, integral, can be activated
Addressing	Required on site: by smartphone app
Setpoint value signal input (analogue optional)	0 - 10 V DC, 2 - 10 V DC Input resistance 100 kΩ
Actual value signal output	0 - 10 V, 2 - 10 V, maximum 0.5 mA
Protection class IEC/EN	III (Protective extra-low voltage)
Protection level	IP 42
EMC	CE according to 2014/30/EU
Weight	0.3 kg

\* Factory setting

## Actuator LM24A-VST TR



## Actuator LM24A-VST TR

Power supply	from the controller
Power consumption – when running	1 W
Power requirement dimensioning	2 VA
Self-consumption (idle state)	0.4 W
Torque	5 Nm
Run time for 90°	120 s/90°
Setpoint value signal input	from the controller
IEC protection class	III (Protective extra-low voltage)
Protection level	IP 54
EMC	EMC to 2014/30/EU
Weight	0.56 kg

**Actuator NM24A-VST TR**



**Actuator NM24A-VST TR**

Power supply	from the controller
Power consumption – when running	2 W
Power requirement dimensioning	4 VA
Self-consumption (idle state)	0.4 W
Torque	10 Nm
Run time for 90°	120 s/90°
Setpoint value signal input	from the controller
IEC protection class	III (Protective extra-low voltage)
Protection level	IP 54
EMC	EMC to 2014/30/EU
Weight	0.78 kg

Actuator SM24A-VST TR



Actuator SM24A-VST TR

Power supply	from the controller
Power consumption – when running	2 W
Power requirement dimensioning	4 VA
Self-consumption (idle state)	0.4 W
Torque	20 Nm
Run time for 90°	120 s/90°
Setpoint value signal input	from the controller
IEC protection class	III (Protective extra-low voltage)
Protection level	IP 54
EMC	EMC to 2014/30/EU
Weight	0.98 kg

Meaning of the green status LED/push button (applies to all VRU control components)

LED/push button (green)	Meaning
ON	Power supply ok - Normal operation
blinking	in operation - status message pending*
at the press of the button	Trigger rotation angle adaptation, then normal operation

\* **Status message pending:** signals a pending status message, whereby the type of fault is not specified. For a concrete evaluation of this collective fault message, a query must be made using service tools or the bus interface:

- Belimo Assistant app, TROX FlowCheck app or Belimo PC-Tool software
- MP-Bus command, Modbus register, BACnet object

Meaning of the yellow status LED/push button (applies to all VRU control components)

LED/push button (yellow)	Meaning
blinking	MP-Addressing
at the press of the button	Confirmation of addressing

## Commissioning

- Due to the factory-set operating values, it must always be ensured that the control units are only installed in the intended locations
- Installing the controller
- Set up pressure tapping point for room pressure (supply and exhaust air mode)
  - Use the plus connection side of the controller for the room to be controlled
  - Use negative connection side of the controller for pressure-stable reference measuring point
- Observe room pressure control ranges according to technical data
- Establish electrical wiring connection
- The controller is then ready for use
- Only briefly remove the protective cap of the control component during wiring

For bus operation, further commissioning steps are required depending on the required integration of the control component into the local network:

### For operation with Modbus interface

- Switching the setpoint to bus with the service tool
- Bus protocol is already set in the factory from Modbus RTU; no adjustment required
- Adjust Modbus participant address and communication settings

### For operation with BACnet interface

- Switching the setpoint to bus with the service tool
- Switch bus protocol to bus with service tool
- Adjust BACnet subscriber address and communication settings

### For operation with MP-BUS interface

- Switching the setpoint to bus with the service tool
- Switch bus protocol to MP-Bus with service tool
- For operation with MP-Bus interface in existing systems as a replacement for VRP-M controllers:
- Activation of VRP-M compatibility mode required

## Functional scope of service tools

Function/parameter setting	Smartphone app	PC-Tool <sup>1</sup>	ZTH-EU
Setting $\Delta p_{min}$ , $\Delta p_{max}$	R, W <sup>2</sup>	R, W	R, W
Setting signal voltage range for Analogue interface 0 - 10 V, 2 - 10 V DC	R, W <sup>2</sup>	R, W	-
Setpoint value default setting via analogue connection or bus (Modbus, BACnet or MP bus)	R, W <sup>2</sup>	R, W	-
Modbus, BACnet settings (address, communication parameters)	R, W <sup>2</sup>	R, W	-
MP-Bus settings (address)	R, W <sup>2</sup>	R, W	-
Execute override controls (test function)	R, W <sup>3</sup>	-	-
Trend display	R, W <sup>3</sup>	yes	-

R, W = function is readable and writable

- = Function is not available for the service tool

<sup>1</sup> Requires interface converter, e.g. setting devices ZTH-EU

<sup>2</sup> Function/parameterisation is possible without connecting the controller to supply voltage

Function/parameterisation only in conjunction with ZIP-BT-NFC **and** connected power supply to the controller

For the proper use of the service tools, they should always be kept up to date with the latest software version.

Information on current versions/updates for PC-Tool software and setting device ZTH-EU on the Belimo homepage [www.belimo.com](http://www.belimo.com).

Minimum versions for ZTH-EU firmware: V 2.09.0004



## Modbus RTU communication interface

Number	Register Address	Description	Range Enumeration	Unit	Scaling	Access
1	0	Setpoint value between $q_{vmin}/\Delta p_{min}$ (reg. address 105) and $q_{vmax}/\Delta p_{max}$ (reg. address 106)  (*1) (*2) (*3) (*4)	0 – 10,000 Factory setting: 0	%	0.01	[R / W]
2	1	Override control  Overwrites the setpoint value with override control	0: None 1: OPEN 2: CLOSED 3: $q_{vmin}/\Delta p_{min}$ 5: $q_{vmax}/\Delta p_{max}$ Factory setting: None	–	–	[R / W]
3	2	Command triggering  Triggering of functions for service and test purposes. Command ends automatically with 0	0: None 1: Adapting 3: Synchronisation Factory setting: None	–	–	[R / W]
4	3	Type of actuator  (*5)	0: Actuator not connected/not known 1: Actuator Air/Water with/without safety function 2: Volume flow controller VAV/EPIV 3: Fire damper 4: Energy Valve 5: 6way EPIV	–	–	[R]
5	4	Current damper blade position acc. to mechanical limits  (*5)	0 – 10,000	%	0.01	[R]
6	5	Blade angle acc. to angle range  (*5)	0 – 9,600	°	0.01	[R]
7	6	Relative volume flow rate related to $q_{vnom}$ (reg. address 110)  (*6)	0 – 15,000	%	0.01	[R]
8	7	Absolute volume flow rate  (*6)	0 – $q_{vnom}$	m <sup>3</sup> /h	1	[R]
9	8	Sensor value (voltage, resistance, switch) Value dependent on the setting of the sensor type (reg. address 107)	0 – 65,535	mV, Ω, 0/1	0.1	[R]
10	9	–	–	–	–	[–]
11	10	Absolute volume flow rate in selected volume flow unit acc. to (reg. address 117)  (Low word) < 16 of 32 bit  (*6)	0 – 500,000,000	UnitSel	0.001	[R]
12	11	Absolute volume flow rate in selected volume flow unit acc. to (reg. address 117)  (High word) > 16 of 32 bit  (*6)	0 – 500,000,000	UnitSel	0.001	[R]
13	12	Analogue setpoint value	0 – 10,000	%	0.01	[R]



Number	Register Address	Description	Range Enumeration	Unit	Scaling	Access
		Shows the setpoint value in % with analogue control input signal. Active if reg. address 118 = 0 (analogue)				
51		Relative differential pressure According to application case as per (reg. address 128)	0 – 20,000	%	0.01	[R]
52		Absolute differential pressure	-1,000 – 15,000	[Pa]	0.1	[R]
53		–	–	–	–	[–]
54		Absolute differential pressure in selected unit (reg. address 145) (Low word) < 16 of 32 bit	-10,000,000 – 100,000,000	UnitSel	0.001	[R]
55		Absolute differential pressure in selected unit as per (reg. address 145) (High word) > 16 of 32 bit	-10,000,000 – 100,000,000	UnitSel	0.001	[R]
100	99	Bus terminal resistor Indicates whether the terminal resistor (120 Ω) is active or deactivated. Can only be set using service tools.	0: Not active 1: Active Factory setting: Not active	–	–	[R]
101	100	Serial number, part 1 Example: 00839-31324-064-008 1 <sup>st</sup> part: 00839 2 <sup>st</sup> part: 31324 3 <sup>st</sup> part: 008	–	–	–	[R]
102	101	Serial number, part 2	–	–	–	[R]
103	102	Serial number, part 3	–	–	–	[R]
104	103	Firmware version Example: 101, version 01.01.	–	–	–	[R]
105	104	Malfunctions and service information – automatic reset if status has ceased	Bit 0: – Bit 1: Mechanical travel too high Bit 2: Actuator cannot be moved (e.g. mechanical overload) Bit 3: – Bit 4: Error of dP sensor Bit 5: Return air flow detected Bit 6: Volume flow rate too low Bit 7: Flow rate in closed position Bit 8: Internal activity (e.g. test run, adaptation) Bit 9: Gear release active Bit 10: Bus monitoring triggered Bit 11: Actuator not suitable for application Bit 12: Pressure sensor incorrectly connected Bit 13: Pressure sensor not reached Bit 14: Error in dP sensor outside of measuring range	–	–	[R]
106	105	Setting work areas $q_{vmin}/\Delta p_{min}$ Requirements: $q_{vmin}/\Delta p_{min} < q_{vmax}/\Delta p_{max}$ Vmax in the area 0 – 100 % of $q_{vnom}/\Delta p_{nominal}$	0 – $q_{vmax}/\Delta p_{max}$	%	0.01	[R / W*]
107	106	Setting work areas $q_{vmax}/\Delta p_{max}$ Requirements: $q_{vmax}/\Delta p_{max} < q_{vmin}/\Delta p_{min}$	2,000–10,000	%	0.01	[R / W*]





Number	Register Address	Description	Range Enumeration	Unit	Scaling	Access
		V <sub>max</sub> in the area 20 – 100 % of q <sub>vnom</sub> / Δp <sub>nominal</sub>				
108	107	Type of sensor  If reg. address 118 = 0 (analogue), then reg. address 107 = 1 (active) for mV	0: None 1: Active 2: Passive 3: – 4: Switch  Factory setting: None	–	–	[R / W*]
109	108	Bus timeout monitoring  If there is a bus timeout, the actuator moves into a position specified here. The position is mech. limited, q <sub>vmin</sub> / Δp <sub>min</sub> and q <sub>vmax</sub> /Δp <sub>max</sub> have no impact. Release if no change takes place in reg. address 1 or reg. address 2 in the specified time for reg. address 109.  Display of release in reg. address 104.  In hybrid mode, bus timeout activation is deactivated.  Bus timeout time: acc. to reg. address 109	0 – 10,000 Factory setting: 0	%	0.01	[R / W*]
110	109	Time until release bus timeout monitoring  If reg. 108 ≠ 0, then the initial automatic status is reg. 108 = 120 s.	0 – 3,600 0: Inactive Factory setting: Deactivated	s	1	[R / W*]
113	112	Nominal volume flow rate in selected volume flow unit acc. (reg. address 117)  (Low word) < 16 of 32 bit	0 – 60,000,000	UnitSel	0.001	[R]
114	113	Nominal volume flow rate in selected volume flow unit acc. (reg. address 117)  (High word) > 16 of 32 bit	0 – 60,000,000	UnitSel	0.001	[R]
115	114	–	–	–	–	[–]
116	115	–	–	–	–	[–]
117	116	Control mode	0: Position control (open loop) 1: Volume flow control Factory setting: Volume flow control	–	–	[R]
118	117	Unit selection –  Unit selection for reg. address 11 and 12	0: – 1: m <sup>3</sup> /h 2: l/s 3: – 4: – 5: – 6: cfm	–	–	[R / W*]
119	118	Setpoint value setting  If reg. address 118 = 0 (analogue), then reg. address 12 = active. If reg. address 118 = 1 (Bus), then reg. address 1 = active.	0: Analogue (0 – 10 V, 2 – 10 V) 1: Bus (Modbus, BACnet, MP-Bus) Factory setting: Analogue	–	–	[R / W*]



Number	Register Address	Description	Range Enumeration	Unit	Scaling	Access
120		Pressure operating mode Only for VRU-M1R-M/B TR.	0: Negative pressure 1: Positive pressure	–	–	[R / W*]
121		–	–	–	–	[–]
122		–	–	–	–	[–]
123		–	–	–	–	[–]
124		Room pressure cascade release Only available if reg. address 124 = 0 (volume flow control) or 2 (room pressure control).	0: Inactive 1: Active 2: Active fast (only for VRU-M1R-M/B TR)	–	–	[R]
125		Applications	0: Volume flow control 1: Pressure control 2: Room pressure control 3: Flow measurement	–	–	[R]
126		Unit height	0 – 3,000 Factory setting: 0	m	1	[R / W*]
127		Nominal differential pressure in the selected unit as per (reg. address 145) More info in (reg. address 128)	D3: 0 – 50000 M1: 0 – 60000 M1R: 0 – 60000	UnitSel	–	[R]
128		–	–	–	–	[–]
129		Nominal differential pressure in Pa If reg. address 124 = 0 (volume flow control), then reg. address 110 as $q_{vnom}$ . If reg. address 124 = 1 (differential pressure control) or 2 (room pressure control), then the maximum is defined by the diff. pressure.	D3: 0 – 500 M1: 0 – 600 M1R: 0 – 750	Pa	0.1	[R]
146		Selection of the pressure unit The selected unit is displayed in (reg. address 126).	0: Pascal 1: – 2: Water column Factory setting: Pascal	–	–	[R / W*]

[R] = Read-only access to register

[R/W] = Register readable and writable

[R/W\*] = Register readable and writeable with restrictions; all writeable registers from 100 are persistent (stored in the EEPROM), regular or cyclical writing must be avoided.

(\*1) If reg. addr. 118 = 1 (bus), then reg. addr. 0 = active

(\*2) If reg. addr. 124 = 0 (flow rate control), then reg. addr. 0 = flow rate

(\*3) If reg. addr. 124 = 0 (volume flow control) and reg. addr. 116 = 0 (position control), then reg. addr. = damper blade position

(\*4) If reg. addr. 124 = 1 (differential pressure control) or 2 (room pressure control), then reg. addr. = pressure

(\*5) If reg. addr. 124 = 2 (room pressure control) or 3 (volume flow measurement), then reg. addr. = deactivate 65.535

(\*6) If reg. addr. 124 = 1 (differential pressure control) or 2 (room pressure control), then reg. addr. = deactivate 65.535

**BACnet MS/TP - Protocol Implementation Conformance Statement - PICS (General information)**

Date	2020-06-11
Vendor Name	TROX GmbH
Vendor ID	329
Product Name	VRU-D3-BAC, VRU-M1-BAC, VRU-M1R-BAC
Product Model Number	VRU - BAC
Applications Software Version	01.02.0001
Firmware revision	10.02.0000
BACnet Protocol Revision	12
Product Description	Controller for VAV/CAV and pressure applications
BACnet Standard Device Profile	BACnet Application Specific Controller (B-ASC)
BACnet Interoperability Building Blocks supported	Data Sharing – ReadProperty-B (DS-RP-B) Data Sharing – ReadPropertyMultiple-B (DS-RPM-B) Data Sharing – WriteProperty-B (DS-WP-B) Data Sharing – WritePropertyMultiple-B (DS-WPM-B) Data Sharing – COV-B (DS-COV-B) Device Management – DynamicDeviceBinding-B (DM-DDB-B) Device Management – DynamicObjectBinding-B (DM-DOB-B) Device Management – DeviceCommunicationControl-B (DM-DCC-B)
Segmentation Capability	No
Data Link Layer Options	MS/TP master, baud rates: 9600, 19200, 38400, 76800, 115200
Device Address Binding	No static device binding supported
Networking Options	None
Character Sets Supported	ISO 10646 (UTF-8)
Gateway Options	None
Network Security Options	Non-secure device

## Communication interface BACnet MS/TP - Object processing

Object type	Optional properties	Writable properties
Analog Input [AI]	Description COV Increment	COV Increment
Analog Output [AO]	Description COV Increment	Present Value COV Increment Relinquish Default
Analog Value [AV]	Description COV Increment	Present Value COV Increment
Binary Input [BI]	Description Active Text Inactive Text	
Device	Description Location Active COV Subscriptions Max Master Max Info Frames Profile Name	Object identifier Object Name Location Description APDU Timeout (1000 – 60000) Number Of APDU Retries (0 – 10) Max Master (1 – 127) Max Info Frames (1 – 255)
Multi-state Input [MI]	Description State Text	
Multi-state Output [MO]	Description State Text	Present Value Relinquish Default
Multi-state Value [MV]	Description State Text	Present Value (if marked)

### Editing of services

- The unit does not support the services "Create object" and "Delete object".
- The specified maximum length of writable strings is based on single-byte characters.
  1. Object name 32 characters
  2. Location 64 characters
  3. Description 64 characters
- The unit supports DeviceCommunicationControl services, no password required.
- A maximum of 6 active COV subscriptions with a runtime of 1 - 28800 s (maximum 8 h) are supported.



## Communication interface BACnet MS/TP - BACnet objects

Object Name	Object Type	Description	Values	COV Increment	Access
Device	Device [Inst.No]		0 – 4,194,302 Factory setting: 1	–	WR
RelPos	AI[1]	Damper blade position in %  <u>Status flags:</u> (*1), (*2)	0 – 100	0.01 – 100 Factory setting: 1	RD
AbsPos	AI[2]	Absolute position in ° Angular position corresponding to the entire rotation range.  <u>Status flags:</u> (*1), (*2)	0 – max. angle	0.01 – 90 Factory setting: 1	RD
SpAnalogue	AI[6]	Analogue setpoint value in % Shows the analogue setpoint value according to the selected application flow rate, pressure, damper blade position as per ApplicationSel MV[2]. If setpoint value setting in SpSource MV[122] = 1 (analogue), then SpAnalog AI[6] = active. The analogue setpoint value is limited by Min AV[97] and Max AV[98].  <u>Status flags:</u> (*1), (*3)	0 – 100	0.01 – 100 Factory setting: 1	RD
RelDeltaP	AI[9]	Relative differential pressure in % with respect to DeltaPnom_Pa AV[122]	0 – 150	0.01 – 150 Factory setting: 1	RD
RelFlow	AI[10]	Relative volume flow rate in % related to Vnom_m3h AV[112]  <u>Status flags:</u> (*4)	0 – 150	0.01 – 150 Factory setting: 1	RD
AbsFlow_m3h	AI[12]	Absolute volume flow rate in m³/h  <u>Status flags:</u> (*4)	0 – 60,000	1 – 60,000 Factory setting: 10	RD
DeltaP_UnitSel	AI[18]	Absolute differential pressure in selected unit as per UnitSelPressure MV[127]	-10,000 – 100,000	0.001 – 100,000 Factory setting: 1	RD
AbsFlow_UnitSel	AI[19]	Absolute volume flow rate in selected unit as per UnitSelAirFlow MV[121]  <u>Status flags:</u> (*4)	0 – 500,000	0.01 – 500,000 Factory setting: 1	RD
Sens1Analogue	AI[20]	Sensor 1 as analogue value  If Sensor1Type MV[220] = 2 (active), then display = analogue value in 0 – 10 V. If Sensor1Type MV[220] = 3 (passive), then display = resistance value. If RmPCascade MV[10] = 2 (enabled) or 3 (quickly enabled), then the sensor input is not	0 – 65535	0.01 – 1000 Factory setting: 1	RD



Object Name	Object Type	Description	Values	COV Increment	Access
		available. <u>Status flags:</u> (*5)			
DeltaP_Pa	AI[29]	Absolute differential pressure in Pa	0 – 600	0.01 – 600 Factory setting: 10	RD
SpRel	AO[1]	Relative setpoint value in %  The rel. setpoint value depends on the application (flow rate/pressure/damper blade position). If SpSource MV[122] = 2 (bus), then SpRel AO[1] = active. The analogue setpoint value is limited by Min AV[97] and Max AV[98].  <u>Status flags:</u> (*1), (*2)	0 – 100 Factory setting: 0	0.01 – 100 Factory setting: 1	C
Min	AV[97]	Minimum setpoint value in % ( $q_{vmin}/P_{min}$ )  Requirement: $q_{vmin}/\Delta p_{min} < q_{vmax}/\Delta p_{max}$ $q_{vmin}/\Delta p_{min}$ in the range 0 - 100 & $q_{vnom}/\Delta p_{nom}$	$0 - q_{vmax}/\Delta p_{max}$	0.01 – 100 Factory setting: 1	WR
Max	AV[98]	Maximum setpoint value in % ( $q_{vmax}/P_{max}$ )  Requirement: $q_{vmax}/\Delta p_{max} > q_{vmin}/\Delta p_{min}$ $q_{vmax}/P_{max}$ in the range 20 - 100 % of $q_{vnom}/P_{nom}$	$q_{vmin}/\Delta p - 100$	0.01 – 100 Factory setting: 1	WR
Vnom_m3h	AV[112]	Nominal volume flow rate in m <sup>3</sup> /h	0 – 50,000	0.01 – 50,000 Factory setting: 1	RD
Vnom_UnitSel	AV[119]	Nominal volume flow rate in selected unit as per UnitSel MV[121]	0 – 250,000	0.01 – 1,000: Factory setting: 1	RD
SystemAltitude	AV[120]	System altitude in metres above sea level	0 – 3,000	1 – 3,000 Factory setting: 10	WR
DeltaPnom_Pa	AV[122]	Nominal differential pressure in Pa  The nominal differential pressure depends on the selected pressure sensor (D3, M1, M1R). Depending on the selected application, the nominal differential pressure serves as dp@Vnom or as the maximum pressure limitation If ApplicationSel MV[2] = 1 (flow control), then display = nominal differential pressure If ApplicationSel MV[2] = 2 (pressure control) or 3 (room pressure control), then display = max. pressure limitation	D3: 0 – 500 M1: 0 – 600 M1R: 0 – 75	1 – 600 Factory setting: 1	RD



Object Name	Object Type	Description	Values	COV Increment	Access
DeltaPnom_UnitSel	AV[129]	Nominal differential pressure in selected unit as per UnitSelPressure MV[127]  More infos: see AV[122].		0.01 – 1000 Factory setting: 1	RD
BusWatchdog	AV[130]	Time until the release bus timeout monitoring in s  If BusWatchdog AV[130] ≠ 0, then monitoring of SpRel AO[1] and override MO[1] for change. If changes in SpRel AO[1] and override MO[1], then reset the bus timeout monitoring. If SpSource MV[122] = 1 (analogue), then BusWatchdog AV[130] only takes account of override MO[1].	0 – 3600 s Factory setting: 0 (bus timeout monitoring deactivated)	0.01 – 1000 Factory setting: 1	WR
Sens1Switch	BI[20]	Switch status of the switch at the sensor input  If SenType MV[220] = 5 (switch), then Sens1Switch BI[20] = active.  <u>Status flags:</u> (*6)	0: Inactive 1: Active	–	RD
BusTermination	BI[99]	Terminal resistor  Shows whether the terminal resistor (120 Ω) has been activated via the service tools.	0: Deactivated 1: Activated	–	RD
SummaryStatus	BI[101]	Condensed status  Groups together the status of the objects:  "StatusSensor" MI[103] "StatusFlow" MI[104] "StatusActuator" MI[106] "StatusPressure" MI[109] "StatusDevice" MI[110]	Not equal to 1: OK 1: Not OK	–	RD
RmPCasacade	MV [10]	Room pressure cascade  If RmPCascade MV[10] = 2 (active) or 3 (active fast), then sensor1 is the input for the room cascade (0 – 10 V). If ApplicationSel MV[2] = 1 (volume flow control) or 3 (room pressure control), then RmPCascade MV [10] = active.  <u>Status flags:</u> (*7)	1: Inactive 2: Active 3: Active fast (for M1R only)	–	RD
InternalActivity	MI[100]	Internal status	1: None 2: – 3: Adaption 4: Synchronisation	–	RD



Object Name	Object Type	Description	Values	COV Increment	Access
StatusSensor	MI[103]	Status of the differential pressure sensor  If status end = automatic reset	1: OK 2: dP sensor not OK 3: dP sensor outside of measuring range 4: dP sensor incorrectly connected	–	RD
StatusFlow	MI[104]	Volume flow rate status  If there is no volume flow rate within 600 s, then StatusFlow MI[104] = 3.	1: OK 2: – 3: No airflow detected	–	RD
StatusActuator	MI[106]	Status of the actuator  <u>Status flags:</u> (*2)	1: OK 2: Actuator cannot be moved 3: Gear release active 4: Mechanical travel exceeded 5: Actuator not suitable for application	–	RD
StatusPressure	MI[109]	Differential pressure status  If the differential pressure is not reached within 180 s, then StatusPressure MI[109] = 3.	1: OK 2: – 3: Pressure not reached	–	RD
StatusDevice	MI[110]	Status of the device during bus monitoring  According to BusWatchdog AV[130].	1: OK 2: Bus timeout monitoring activated	–	RD
Override	MO[1]	Override control  Overwrites the setpoint value with a forced command.  <u>Status flags:</u> (*8)	1: None 2: OPEN 3: CLOSED 4: $q_{vmin}/\Delta p_{min}$ 5: – 6: $q_{vmax}/\Delta p_{max}$ Factory setting: None (1)	–	C
ApplicationSel	MV[2]	Display of application  VRU-D3-M/B TR, VRU-M1-M/B TR - Flow control - Pressure control - Flow measurement  VRU-M1R-M/B TR - Room pressure control	1: Flow control 2: Pressure control 3: Room pressure control 4: Flow measurement	–	RD
ControlMode	MV[100]	Control mode  <u>Status flags:</u> (*9)	1: PosCtrl 2: FlowCtrl Factory setting: FlowCtrl	–	RD
OperationMode	MV[102]	Operating mode  Only relevant for VRU-M1R-BAC.  <u>Status flags:</u> (*10)	1: Negative pressure 2: Positive pressure	–	WR
Command	MV[120]	Release test functions  <u>Status flags:</u> (*2)	1: None 2: Adaption 3: – 4: Reset Factory setting: None	–	WR
UnitSelAirFlow	MV[121]	Selection of the volume flow unit	1: – 2: m <sup>3</sup> /h 3: l/s	–	WR





Object Name	Object Type	Description	Values	COV Increment	Access
		The selected unit is indicated in AI[19] and AV[104]	4: – 5: – 6: – 7: cfm		
SpSource	MV[122]	Selection of the setpoint value setting  If SpSource MV[122] = 1 (analogue), then SpAnalog AI[6] = active. If SpSource MV[122] = 2 (bus), then SpRel AO [1] = active.	1: Analogue (0 – 10 V, 2 – 10 V) 2: Bus (Modbus, BACnet, MP-Bus) Factory setting: Analogue	–	WR
UnitSelPressure	MV[127]	Selection of the pressure unit  The selected unit is indicated in DeltaP_UnitSel AI[18] and DeltaPnom_UnitSel AV[129].	1: Pascal 3: Water column Factory setting: pascal	–	WR
UnitSelTemp	MV[128]	Selection of temperature unit  The selected unit is located in AI[20].	1: K 2: °C 3: °F Factory setting: °C (2)	–	W
Sens1Type	MV[220]	Definition of the sensor type  If Sens1Type MV[220] = 2 (active) or 3 (passive), then Sens1Analog AI[20] active. If Sens1Type MV [220] = 5 (switch), then Sens1Schalter BI[20] active.	1: None 2: Active sensor (in hybrid mode) 3: Passive sensor 4: – 5: Switch Factory setting: None	–	WR

RD = Read-only access

WR = Read/write access

C = Commendable with priority array

Status flags:

(\*1) If gear disengagement pressed, then Overridden = 1

(\*2) If ApplicationSel MV[2] = 3 (room pressure control) or 4 (flow measurement), then Out of Service = 1

(\*3) If SpSource MV[122] = 2 (bus), then Out of Service = 1

(\*4) If ApplicationSel MV[2] = 2 (pressure control) or 3 (room pressure control), then Out of Service = 1

(\*5) If Sens1Type MV[220] = 1 (none), then Out of Service = 1

(\*6) If Sens1Type MV[220] ≠ 5, then Out of Service = 1

(\*7) If ApplicationSel MV[2] = 2 (pressure control) or 4 (flow measurement), then Out of Service = 1

(\*8) If ApplicationSel MV[2] = 4 (flow measurement), then Out of Service = 1

(\*9) If ApplicationSel MV[2] ≠ 1 (flow rate control), then Out of Service = 1

(\*10) If ApplicationSel MV[2] ≠ 3 (room pressure control), then Out of Service = 1

## Product details

### Analogue interface 0 – 10 V DC or 2 – 10 V DC

In the delivery state, the setpoint must be specified via the analogue interface. If the setpoint value is specified via a digital communication interface, this can be changed to Modbus, BACnet or MP-Bus at any time via the TROX FlowCheck App. The analogue interface can be set for the signal voltage range 0 - 10 V DC or 2 - 10 V DC through the TROX FlowCheck App. The assignment of the room pressure setpoint or actual value to the voltage signal is shown in the characteristic diagrams.

### Setpoint value setting

#### Variable operation

- In the variable operating mode, the setpoint is specified with an analogue signal at terminal 3. Setpoint specifications via the respective bus system are rejected
- Selected signal voltage range 0 - 10 V or 2 - 10 V DC is assigned to the set pressure range  $\Delta p_{\min} - \Delta p_{\max}$  assigned to
- Pressure range  $\Delta p_{\min} - \Delta p_{\max}$  set at the factory according to the order code details
- Subsequent adjustment of  $\Delta p_{\min}$  or  $\Delta p_{\max}$  possible via adjustment device, TROX FlowCheck app or PC tool

#### Constant value mode

- In the operating mode fixed value operation, no analogue signal is required at terminal 3
- The value determined by  $\Delta p_{\min}$  the set fixed room pressure value is controlled
- Pressure value  $\Delta p_{\min}$  set at the factory according to the order code details
- Subsequent adjustment of  $\Delta p_{\min}$  possible via adjustment device, TROX FlowCheck app or PC tool

### Actual value as feedback for monitoring or tracking control

- The actual pressure measured by the controller can be tapped as a voltage signal at terminal 5
- Selected signal voltage range 0 - 10 V DC or 2 - 10 V DC is applied to the pressure range 0 -  $\Delta p_{\text{Nominal}}$  Pa depicted
- Reference point  $\Delta p_{\text{Nominal}} = -75$  Pa or  $+75$  Pa
- In analogue mode, there is the parallel option of querying operating data via the Modbus interface (hybrid mode)

### Override control

For special operating situations, the room pressure controller can be set to a special operating state (override control). Possible are: Regulation  $\Delta p_{\min}$ , regulation  $\Delta p_{\max}$  the control damper is in the open position (OPEN), control damper closed (CLOSED) or control stop (e.g. for a door contact).

### Override controls via signal input Y or override control inputs z1, z2

Through suitable wiring of the inputs Y, z1, z2, the override controls can be activated according to the wiring diagrams via wiring with external switching contacts/relays (see wiring examples).

### Override controls via command signal at signal input Y

For signal voltage range 0 - 10 V DC

$P_{\min} - P_{\max}$ : 0 - 10 V DC

No shut-off damper CLOSED via signal input Y

For signal voltage range 2 - 10 V DC

Flap CLOSED:  $Y < 0.3$  V DC

$P_{\min}$ :  $Y > 0.4$  V DC

$P_{\min} - P_{\max}$ : 2 - 10 V DC

**Override controls in analogue mode via Modbus or BACnet interface**

If the bus interface is also connected in analogue mode, override control can also be specified via Modbus register 1 or BACnet Object MO[1].

**Override control for diagnosis**

Activation via TROX FlowCheck App.

**Prioritisation of different default options**

- Specifications for override controls via analogue are prioritised over Modbus/BACnet specifications
- Highest priority: Preset via analogue override control
- Medium priority: Specifications via the service plug (setting device, PC software) for test purposes
- Lowest priority: Default via Modbus/BACnet/MP-BUS

**Analogue hybrid operation**

- With analogue setpoint input via terminal 3 and analogue feedback via terminal 5, feedback via BACnet MS/TP or Modbus RTU is still possible
- The factory default setting for the bus interface is Modbus RTU; however, this can be changed via TROX FlowCheck App or PC-Tool
- Various operating parameters can be called up according to the bus interface list via Modbus RTU or BACnet MS/TP
- Forced controls  $\Delta p_{\min}$ ,  $\Delta p_{\max}$ , control damper in open position (OPEN), control damper closed (CLOSED) or control stop possible via bus interface

### Digital communication interface

For a setpoint value specification via the bus interface, an on-site conversion with the TROX FlowCheck App is necessary. The bus interface can be set to Modbus, BACnet and MP-Bus. For smooth data exchange in the on-site bus network, it is necessary to set the communication parameters and the participant address for the bus interface. The communication parameters of the bus systems (address, baud rate ...) can be set with the TROX FlowCheck App. The interface provides standardised bus register/object access to the available data points.

### Setpoint value setting

- In Modbus RTU operating mode (factory setting), the setpoint is specified by entering the pressure setpoint [%] in Modbus register 0
- In the BACnet MS/TP operating mode, the setpoint is specified by specifying the pressure setpoint [%] in the BACnet object AI[1]
- The transferred percentage value relates to the value given by  $\Delta p_{\min}$  –  $\Delta p_{\max}$  defined pressure range
- Pressure ranges  $\Delta p_{\min}$  –  $\Delta p_{\max}$  set at the factory according to the order code details
- Subsequent adjustment of  $\Delta p_{\min}$  or  $\Delta p_{\max}$  possible via setting device, TROX FlowCheck App, PC tool or via Modbus/BACnet interface

### Actual value as feedback for monitoring or tracking control

- Both in Modbus and in BACnet, the actual values can be read in Pa (factory setting)
- In addition to the pressure value, further information can be read out via other Modbus registers/BACnet objects
- Overview of the registers/objects in the communication tables
- For diagnostic purposes, the actual pressure value can be tapped at terminal 5 during bus operation
- The pressure range 0 -  $\Delta p_{\text{Nominal}}$  always corresponds to the signal voltage range (0)2 – 10 V DC
- Reference point  $\Delta p_{\text{Nominal}} = -75$  Pa or +75 Pa

### Override control

For special operating situations, the room pressure controller can be set to a special operating state (override control). Possible are: Regulation  $\Delta p_{\min}$ , regulation  $\Delta p_{\max}$ , the control damper is in open position (OPEN), control damper closed (CLOSED) or control stop.

### Priority control via the bus

Specifications are made via Modbus register 1 or via BACnet Object Type MO[1].

### Override control by bus failure monitoring (Modbus)

In case of failure of the Modbus communication for a defined period of time, a predefined operating state  $\Delta p_{\min}$ ,  $\Delta p_{\max}$ , OPEN or CLOSED can be activated.

- The override to be activated in case of bus failure is defined via Modbus register 108 or 109
- The determination after which bus failure time the override control is activated is made via Modbus register 109 or 110
- Any Modbus communication resets the bus failure monitoring timeout

### Override control by bus failure monitoring (BACnet)

In the event of a failure of BACnet communication for a specified period of time, a predefined operating state can be activated.

- The setpoint to be activated in the event of bus failure is determined via the Relinquish\_Default of SpRel (Object AO1)
- Bus failure time is defined via BusWatchdog (object type AV [130])
- Communication on the data points SpRel (Object AO[1]) and Override (Object MO[1]) resets the timeout of bus failure monitoring

### Override controls for diagnosis

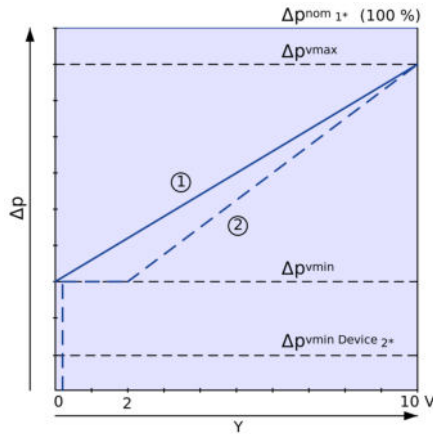
Activation via bus systems, external/on-site switching contacts (bridges), and TROX FlowCheck App.

### Prioritisation of different default options

Specifications for override controls via switching contacts are prioritised over Modbus/BACnet specifications.

- Highest priority: Preset via override control by external wiring (switching contact, relay)
- Medium priority: Specifications via the service plug (TROX FlowCheck App) for test purposes
- Lowest priority: Default via Modbus/BACnet/MP bus

**Characteristic of the setpoint value signal**

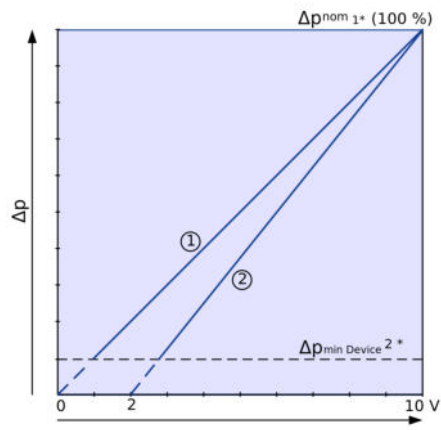


- ① Signal voltage range 0 – 10 V
- ② Signal voltage range 2 – 10 V
- 1\* =  $\Delta p_{\text{Nominal}}$  Nominal pressure difference
- 2\* =  $\Delta p_{\text{minUnit}}$  minimum adjustable pressure difference

**Calculation of differential pressure setpoint at 0 - 10 V**

$$\Delta p_{\text{set}} = \frac{w}{10} (\Delta p_{\text{max}} - \Delta p_{\text{min}}) + \Delta p_{\text{min}}$$

**Characteristic of the actual value signal**



- ① Signal voltage range 0 – 10 V
- ② Signal voltage range 2 – 10 V
- 1\* =  $\Delta p_{\text{Nominal}}$  Nominal pressure difference
- 2\* =  $\Delta p_{\text{min device}}$  minimum adjustable pressure difference

**Calculation of differential pressure actual value at 0 - 10 V**

$$\Delta p_{\text{act}} = \frac{U5}{10} \times \Delta p_{\text{nom}}$$

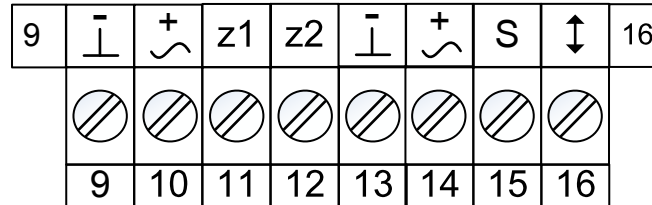
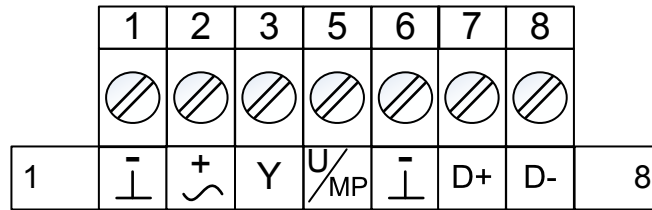
**Calculation of differential pressure setpoint at 2 - 10 V**

$$\Delta p_{\text{Set}} = \frac{w - 2}{8} (\Delta p_{\text{max}} - \Delta p_{\text{min}}) + \Delta p_{\text{min}}$$

**Calculation of actual differential pressure at 2 - 10 V**

$$\Delta p_{\text{act}} = \frac{U5 - 2}{8} \times \Delta p_{\text{nom}}$$

View of plug-in terminal strips at the VRU

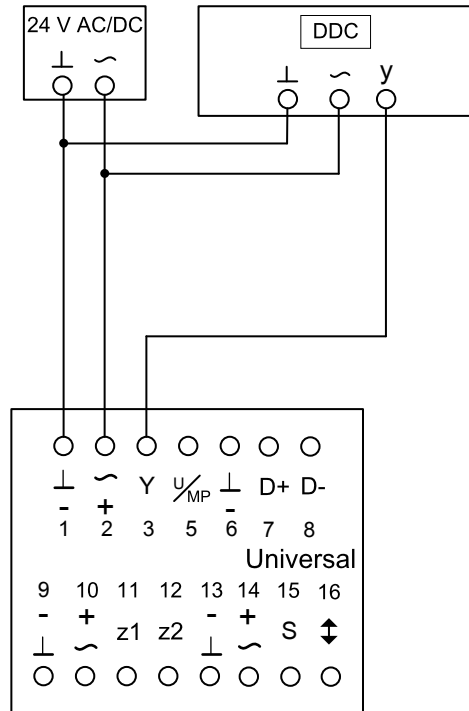


Universal

**Nomenclature**

- 1, 6, 9, 13:  $\perp$ ,  $-$  = Ground, neutral
- 2, 10, 14:  $\sim$ ,  $+$  = Supply voltage 24 V
- 3: Y = Setpoint signal Y and override controls
- 5: U/MP = Actual value signal or MP-Bus or service tool connection
- 7: D+ = B = C2 = RS-485 bus (BACnet MS/TP or Modbus RTU)
- 8: D- = A = C1 = RS-485 bus (BACnet MS/TP or Modbus RTU)
- 11, 12: z1, z2 = Forced control inputs
- 15: Extension for external sensor
- 16: Not used

Wiring diagram analogue control



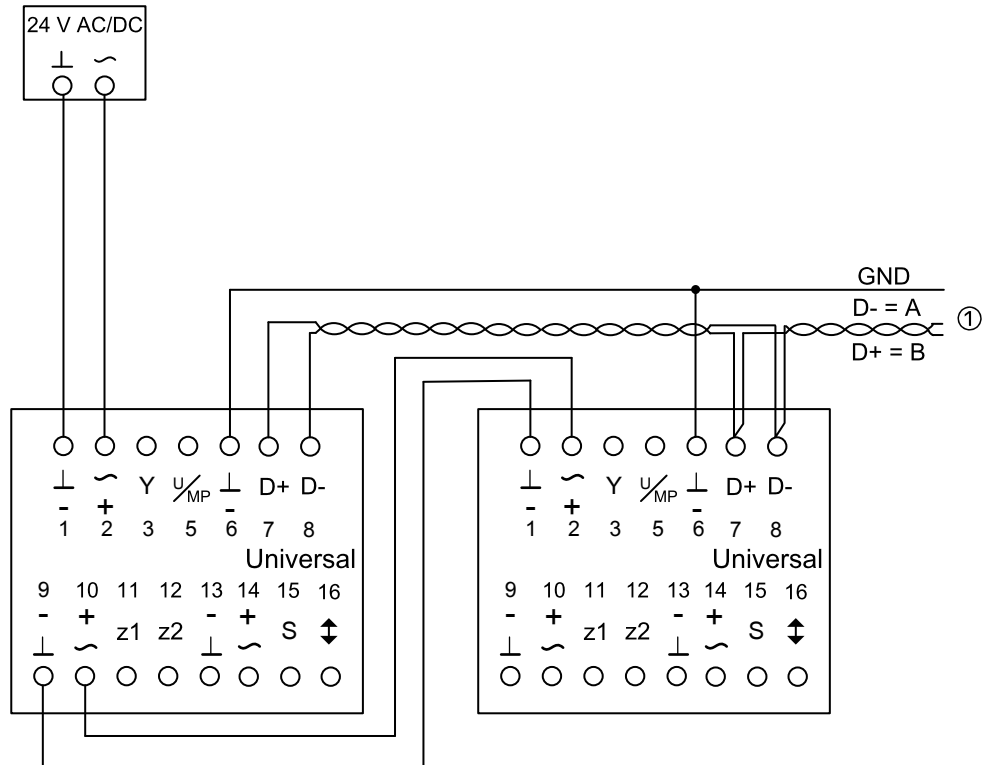
**Nomenclature**

- 1: ⊥, - = Ground, neutral
- 2: ⎵, + = Supply voltage 24 V AC/DC
- 3: Y = setpoint input and override control
- 5: U/MP = Actual value signal

**Note:**

- DDC = Setpoint value setting
- Setpoint value and actual value signals depend on the signal voltage range, either 0 – 10 V DC or 2 – 10 V DC

Wiring diagram Modbus, BACnet operation



Nomenclature

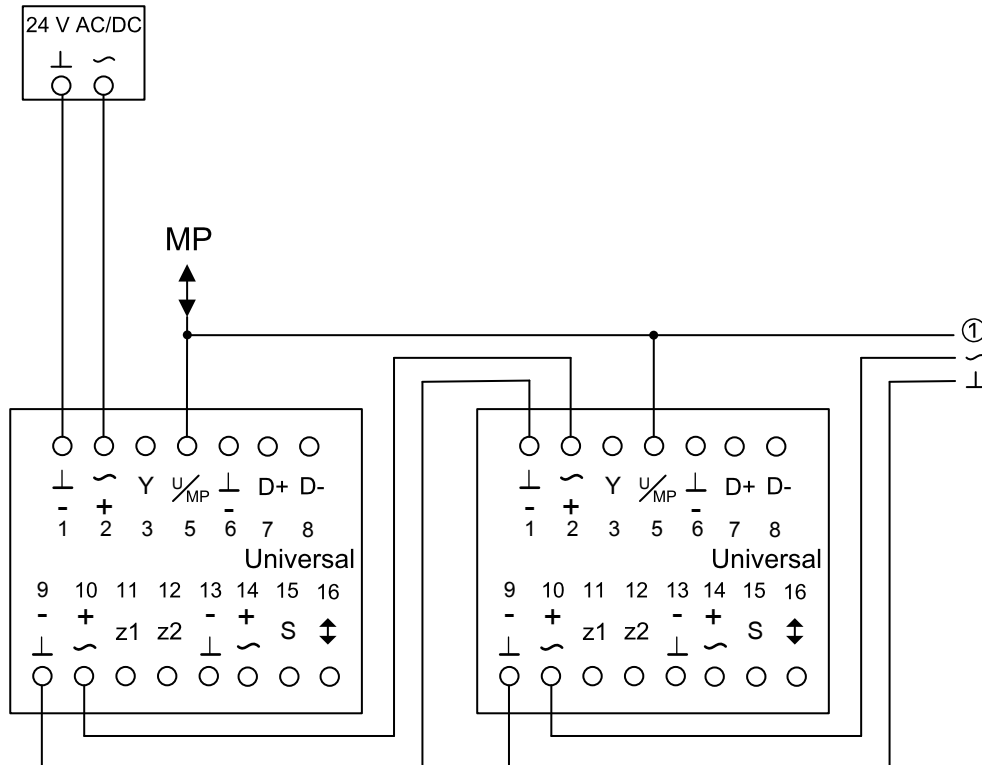
- 1: ⊥, - = Ground, neutral
- 2: ~, + = Supply voltage 24 V AC/DC
- 6: GND = Common ground potential
- 7: D+ = Modbus/BACnet B, C2
- 8: D- = Modbus/BACnet A, C1

Note

- ① Additional network participants for Modbus/BACnet (maximum 32)
- Supply voltage and communication not galvanically isolated
- Voltage supply: Make sure that all devices on the bus have the same GND reference point
- Use terminal resistors on both ends of the bus. Bus terminating resistors integrated in the VRU can be activated with the service tool



MP-Bus connection diagram



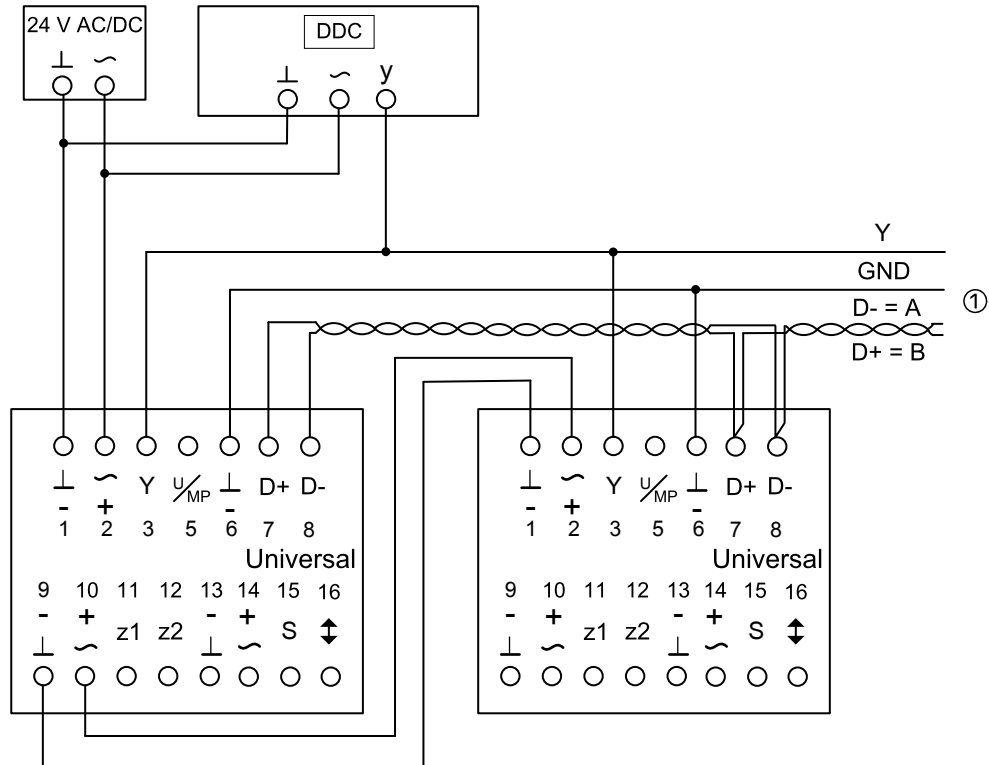
**Nomenclature**

- 1: ⊥, - = Ground, neutral
- 2: ~, + = Supply voltage 24 V AC/DC
- 5: U/MP = MP-Bus connection

**Note**

- ① Number of MP-Bus participants depends on the type of MP-Bus devices; maximum 16 participants
- Of which max. 8 MP participants (e.g. volume flow controller)
- Plus a maximum of 8 MPL participants (e.g. valve drives)
- Supply voltage and communication not galvanically isolated
- Voltage supply: Make sure that all devices on the bus have the same GND reference point.

Wiring diagram hybrid operation



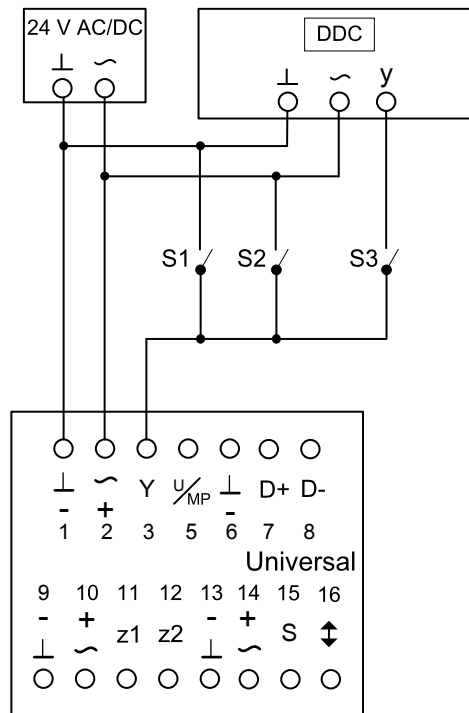
Nomenclature

- 1: ⊥, - = Ground, neutral
- 2: ~, + = Supply voltage 24 V AC/DC
- 6: GND = Common ground potential
- 7: D+ = Modbus/BACnet B, C2
- 8: D- = Modbus/BACnet A, C1

Notes

- DDC = setpoint setting  $\Delta p$
- ① Additional network participants for Modbus/BACnet (maximum 32)
- Supply voltage and communication not galvanically isolated
- Voltage supply: Make sure that all devices on the bus have the same GND reference point
- Use bus terminating resistors at the ends of the bus line
- Bus terminating resistors integrated in the VRU can be activated with the service tool

**Connection diagram for override controls,  
Alternative 1: Y-input**



**Nomenclature**

- 1: ⊥, - = Ground, neutral
- 2: ~, + = Supply voltage 24 V AC/DC
- 3: Y = Setpoint signal and override controls
- 5: U/MP = Actual value signal or MP-Bus or service tool connection

**Notes**

- DDC = Setpoint for  $\Delta p$
- When combining several override controls, the switches must be interlocked to prevent short-circuits
- Setpoint value and actual value signals depend on the signal voltage range, either 0 – 10 V DC or 2 – 10 V DC

**Wiring variants Y-signal**

**Constant mode  $\Delta p_{min}$  (override control  $\Delta p_{min}$ )**

- Only switch (connection) S1 may be closed
- Only works with signal voltage range 0 - 10 V DC

**Priority  $\Delta p_{max}$**

- Only S2 has to be closed

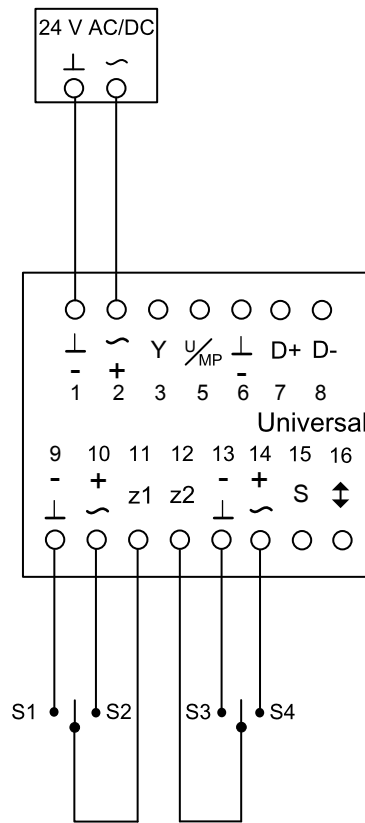
**Control operation  $\Delta p_{min} - \Delta p_{max}$**

- Analogue setpoint for  $\Delta p$
- Only S3 has to be closed

**Override control, damper blade CLOSED**

- Only S1 has to be closed
- Only works with signal voltage range 2 - 10 V DC

**Connection diagram for override controls,  
Alternative 2: z1/z2 input**



**Nomenclature**

- 9: ⊥, - = Ground, neutral
- 10: ~, + = Supply voltage 24 V AC/DC
- 11: Priority z1
- 12: Priority z2
- 13: ⊥, - = Ground, neutral
- 14: ~, + = Supply voltage 24 V AC/DC

**Notes**

- When combining several override controls, the switches must be interlocked to prevent short-circuits

**Wiring variants z1/z2 input**

**Control stop (e.g. door contact)**

- Only S1 has to be closed

**Override control, damper blade OPEN**

- Only S2 has to be closed

**Override control, damper blade CLOSED**

- Only S3 has to be closed

**Priority  $\Delta_{pmax}$**

- Only S4 has to be closed

**Further override controls possible at the Y input.**

## Explanation

### $\Delta p_{\text{Nom}}$ [Pa]

Nominal pressure (100 %): Maximum differential pressure that can be detected by the pressure transducer and converted into an electrical signal. Please note that the adjustable differential pressure range is only a range of the nominal pressure and cannot be fully utilised (see technical data).  $\Delta p_{\text{Nominal}}$  is the reference value for defining  $\Delta p_{\text{min}}$  and  $\Delta p_{\text{max}}$ .

### $\Delta p_{\text{max}}$ [Pa]

Upper limit of the operating range of the room pressure controller adjustable by the customer: (note usable control range - see technical data). For analogue control of room pressure controllers (typically used), the maximum value of the setpoint signal (10 V) is assigned the set maximum value ( $\Delta p_{\text{max}}$  (see characteristic)).

### $\Delta p_{\text{min}}$ [Pa]

Lower limit of the operating range of the room pressure controller that can be set by others:  $\Delta p_{\text{min}}$  should be set to less than or equal to  $\Delta p_{\text{max}}$ .  $\Delta p_{\text{min}}$  should not be set lower than the lower control range, otherwise the control is unstable. With analogue control, the minimum value of the setpoint signal (0 or 2 V) is assigned the set minimum value  $\Delta p_{\text{min}}$  (see characteristic).

### $\Delta p$ [Pa]

Differential pressure

### Room pressure controller

Consisting of a basic device and an attached control component for room pressure control

### Basic unit (for room pressure controller)

Control device without attached control component. The main components are the casing and the damper blade to control the differential pressure in a room with supply air or extract air. Important distinguishing features: Geometry or unit shape, material and types of connection, acoustic characteristics (e.g. acoustic cladding option or integrated silencers).

For manufacturing reasons, the basic device is based on the basic devices for volume flow control and is therefore also referred to as a VAV terminal unit. Sensor elements of the VAV terminal unit are therefore usually present, but are not accessible in all construction variants, e.g. acoustic cladding. The pressure tapping point for room pressure control is placed in the room to be controlled.

### Control component (for room pressure controller)

Electronic unit(s) mounted on the basic device for controlling a room pressure, e.g. in sensitive areas of hospitals or clean-room production, by measuring the actual room pressure and adjusting the damper blade position to achieve the specified setpoint pressure.

The electronic unit essentially consists of a controller with differential pressure transducer (integrated or external) and a separate actuator (Universal or LABCONTROL controller).

Important distinguishing features:

- Transducer: measuring and control range, overpressure/underpressure maintenance
- Actuator variants VARYCONTROL universal controller:
  - Standard actuator, slow-running
  - Spring return actuator for damper blade safety function
- Actuator variants TROX UNIVERSAL:
  - Standard actuator, slow-running
  - Spring return actuator for damper blade safety function
  - Fast-running actuator
- Actuator variants TROX LABCONTROL:
  - Fast-running actuator
- Interface technology:
  - Analogue interface or digital bus interface for connection and tapping of signals and information
- Alternative control concepts:
  - Pure room pressure control with control components from the Universal VARYCONTROL or TROX UNIVERSAL range
  - Room pressure controller taking into account volume flow rates with the TROX EASYLAB control component in room pressure control operating mode (volume flow rate/pressure cascade control)