

Horizontal air discharge



With plenum box



With damper blade



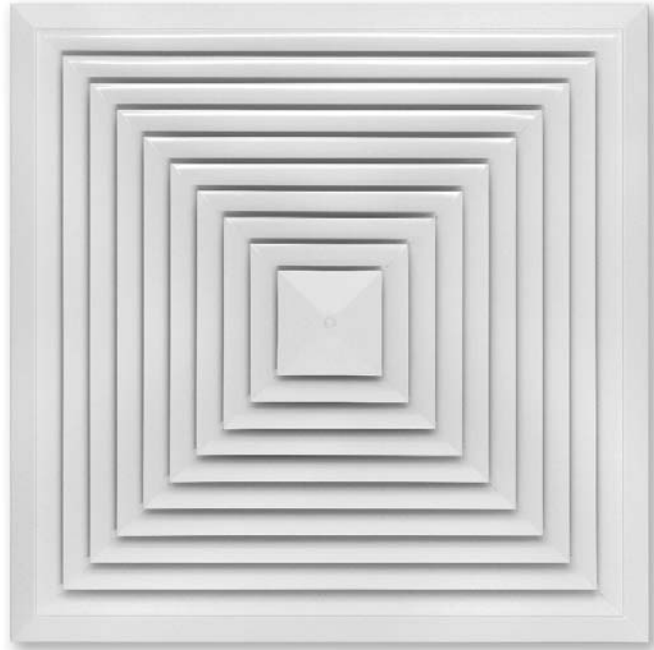
With connecting frame



With butterfly damper

# Ceiling diffusers

## Type DLQ



### For four-way horizontal supply air discharge, with fixed air control blades – sheet steel diffuser face

#### Square ceiling diffusers

- Nominal sizes 250, 300, 400, 500, 600, 625
- Volume flow rate range 20 – 700 l/s or 72 – 2520 m<sup>3</sup>/h
- Square diffuser face
- Diffuser face made of sheet steel, powder-coated
- For supply and extract air
- For variable and constant volume flows
- For all types of ceiling systems
- High induction results in a rapid reduction of temperature differences and airflow velocities

#### Optional equipment and accessories

- Exposed diffuser face available in RAL CLASSIC colours
- Horizontal or vertical duct connection
- Blanking plates for adjusting the discharge direction
- Duct cross bar for installation without plenum box
- Plenum box with cord-operated damper blade and pressure tap

1

Type		Page
DLQ	General information	1.4 – 34
	Order code	1.4 – 37
	Quick sizing	1.4 – 38
	Dimensions and weight	1.4 – 40
	Installation details	1.4 – 46
	Specification text	1.4 – 48
	Basic information and nomenclature	1.6 – 1

## Variants

Product examples

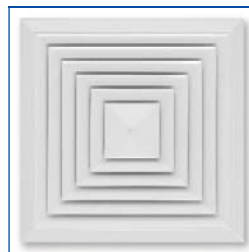
DLQ/250



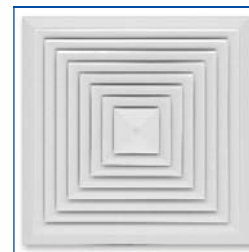
DLQ/300



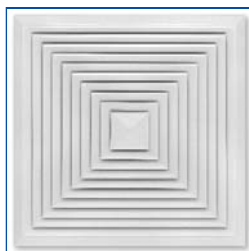
DLQ/400



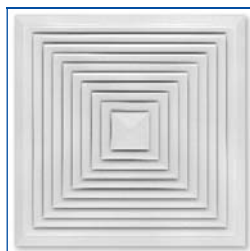
DLQ/500



DLQ/600



DLQ/625

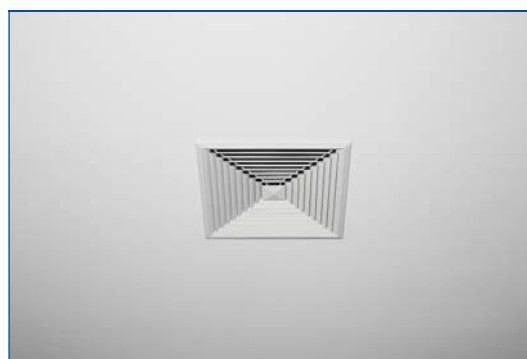


## Installation examples

Installation in T-bar ceilings,  
arrangement in a row



Installation in continuous ceilings



### Description

For detailed information on plenum boxes see Chapter K1 – 1.5.

### Application

- Type DLQ ceiling diffusers are used as supply air or extract air diffusers for comfort zones
- Attractive design element for building owners and architects with demanding aesthetic requirements
- Horizontal four-way supply air discharge for mixed flow ventilation
- High induction results in a rapid reduction of temperature differences and airflow velocities (supply air variant)
- For variable and constant volume flows
- For supply air to room air temperature differences from –10 to +10 K
- For room heights up to 4 m (lower edge of suspended ceiling)
- For all types of ceiling systems

### Variant

- Square diffuser face

### Connection

- A: Diffuser face only
- AR: Vertical duct connection, with connecting frame
- AG: Vertical duct connection, with blades
- C: Vertical duct connection with butterfly damper
- AK: Horizontal duct connection, with plenum box
- X: Horizontal duct connection, with flexible plenum box FLEXTRO

### Nominal sizes

- 250, 300, 400, 500, 600, 625

### Accessories

- Lip seal

### Special characteristics

- Horizontal four-way supply air discharge
- Diffuser face made of galvanised sheet steel
- For all types of ceiling systems
- Horizontal or vertical duct connection

### Parts and characteristics

- Square diffuser face with fixed air control blades
- Diffuser front frame
- Simple installation of the diffuser face due to central fixing screw with decorative cap

### Construction features

- Spigot suitable for circular ducts to EN 1506 or EN 13180

### Materials and surfaces

- Diffuser face, connecting frame and butterfly damper made of sheet steel
- AK: Plenum box and cross bar made of galvanised sheet steel
- X: Plenum box made of plastic and galvanised sheet steel
- Lip seal made of rubber
- Attachments electrocoated RAL 9005, jet black
- Diffuser face powder-coated RAL 9010, pure white
- P1: Powder-coated, RAL CLASSIC colour

### Installation and commissioning

- Preferably for rooms with a clear height up to 4.0 m
- Flush ceiling installation
- Horizontal or vertical duct connection
- If necessary, carry out volume flow rate balancing with damper blade

### Standards and guidelines

- Sound power level of the air-regenerated noise measured according to EN ISO 5135

### Maintenance

- Maintenance-free as construction and materials are not subject to wear
- Inspection and cleaning to VDI 6022

### Technical data

<b>Nominal sizes</b>	250, 300, 400, 500, 600, 625 mm
<b>Minimum volume flow rate</b>	20 – 250 l/s or 72 – 900 m <sup>3</sup> /h
<b>Maximum volume flow rate, with <math>L_{WA} \cong 50</math> dB(A)</b>	575 – 700 l/s or 2070 – 2520 m <sup>3</sup> /h
<b>Supply air to room air temperature difference</b>	–10 to +10 K

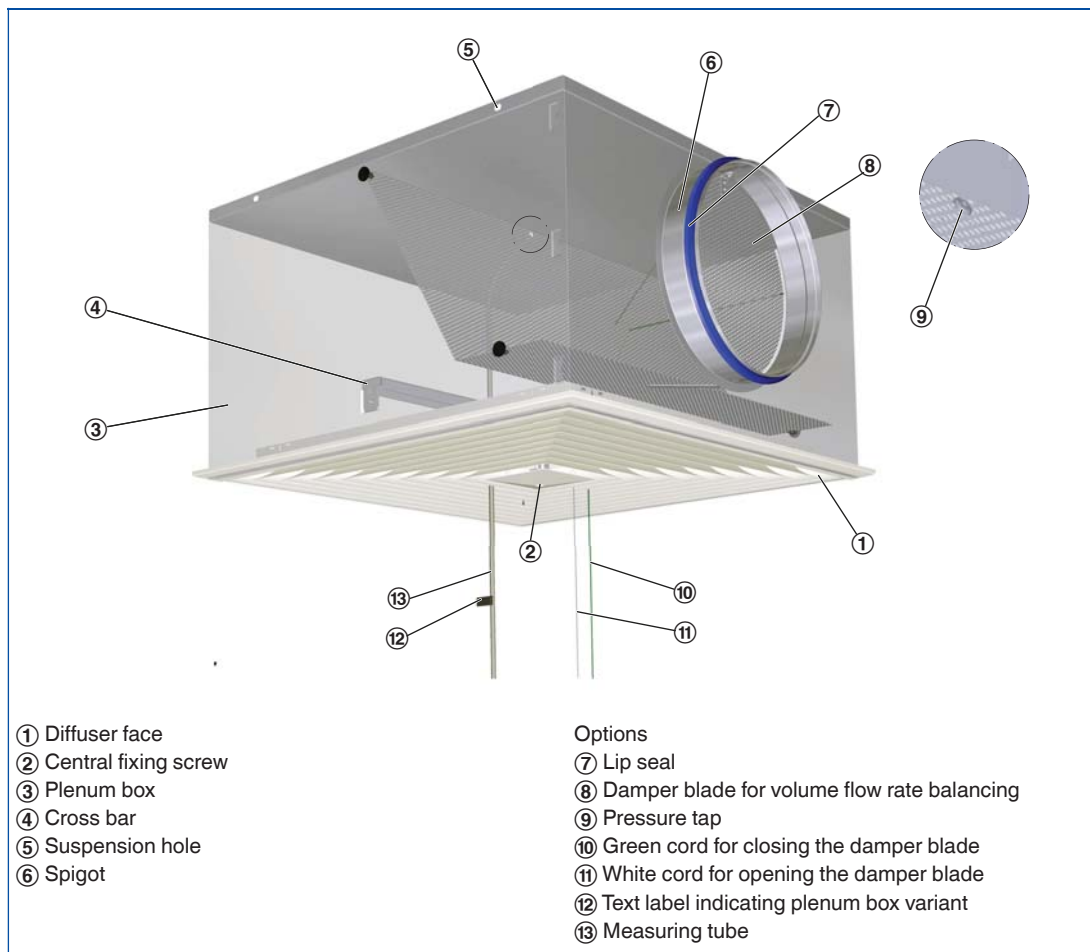
### Function

#### Functional description

Ceiling diffusers direct the air from air conditioning systems into the room. The resulting airflow induces high levels of room air, thereby rapidly reducing the airflow velocity and the temperature difference between supply air and room air. Ceiling diffusers allow for large volume flow rates. The result is a mixed flow ventilation in comfort zones, with good overall room ventilation, creating only very little turbulence in the occupied zone.

Type DLQ ceiling diffusers have fixed blades. Horizontal air discharge is four-way. The supply air to room air temperature difference may range from  $-10$  to  $+10$  K. To give rooms an aesthetic, uniform look, Type DLQ diffusers may also be used for extract air.

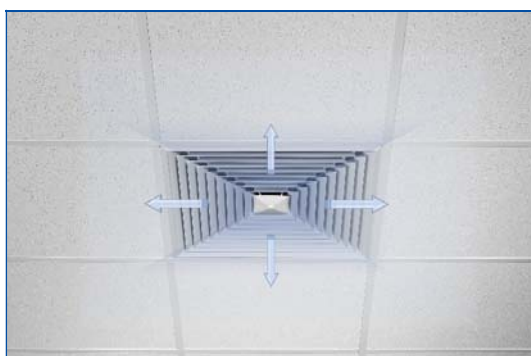
#### Schematic illustration of the DLQ, with plenum box for horizontal duct connection



### Air patterns

#### Horizontal air discharge

#### Horizontal air discharge



Order code

DLQ

<b>DLQ – AK – M – L / 500 / P1 – RAL ...</b>					
1	2	3	4	5	6

**1 Type**

**DLQ** Ceiling diffuser

**2 Connection**

- A** Diffuser face only
- AR** Vertical, with connecting frame
- AG** Vertical, with blades  
(not for nominal size 250)
- C** Vertical, with butterfly damper
- AK** Horizontal, with plenum box  
  
Only for nominal sizes 600, 625
- ZX** Horizontal, supply air,  
with flexible plenum box FLEXTRO
- AX** Horizontal, extract air,  
with flexible plenum box FLEXTRO

**3 Damper blade for volume flow rate balancing**

- Only for construction AK-Uni  
Included with connection X  
No entry: without damper blade
- M** With damper blade  
(only for connection type AK-Uni)
- MN** With cords and pressure tap  
(only for connection type AK-Uni)

**4 Accessories**

- Included with connection X  
No entry: without accessories
- L** With lip seal  
(only for connection type AK-Uni)

**5 Nominal size [mm]**

- 250**
- 300**
- 400**
- 500**
- 600**
- 625**

**6 Exposed surface**

- No entry: powder-coated RAL 9010, pure white
- P1** Powder-coated,  
specify RAL CLASSIC colour  
  
Gloss level  
RAL 9010 50 %  
RAL 9006 30 %  
All other RAL colours 70 %

Order example

**DLQ-AK-M-L/500**

<b>Connection</b>	Horizontal, with plenum box
<b>Damper blade for volume flow rate balancing</b>	With damper blade
<b>Accessories</b>	With lip seal
<b>Nominal size</b>	500
<b>Exposed surface</b>	RAL 9010, pure white, gloss level 50 %

## 1 DLQ-A, ADLQ-AR (supply air)

Quick sizing tables provide a good overview of the volume flow rates and corresponding sound power levels and differential pressures.

The maximum volume flow rates apply to a sound power level of approx. 50 dB (A).

Exact values for all parameters can be determined with our Easy Product Finder design programme.

### Quick sizing – sound power level and total differential pressure

Nominal size	$\dot{V}$		$\Delta p_t$ Pa	$L_{WA}$ dB(A)
	l/s	m <sup>3</sup> /h		
250	20	72	3	<15
	55	198	20	26
	95	342	59	40
	130	468	111	50
300	35	126	2	<15
	95	342	18	24
	155	558	47	38
	210	756	87	50
400	75	270	2	<15
	190	684	13	25
	310	1116	35	38
	430	1548	68	50
500	135	486	2	<15
	295	1062	10	27
	455	1638	23	39
	615	2214	43	50
600	220	792	2	15
	380	1440	8	34
	535	1980	15	43
	690	2484	24	50
625	250	900	2	20
	400	1440	6	34
	550	1980	12	43
	700	2520	19	50

## DLQ-AK (supply air)

The maximum volume flow rates apply to a sound power level of approx. 50 dB (A) with damper blade position 0°.

### Quick sizing – sound power level and total differential pressure

Nominal size	$\dot{V}$		Damper blade position					
			0°		45°		90°	
			$\Delta p_t$ Pa	$L_{WA}$ dB(A)	$\Delta p_t$ Pa	$L_{WA}$ dB(A)	$\Delta p_t$ Pa	$L_{WA}$ dB(A)
250	20	72	5	<15	5	<15	10	<15
	35	126	14	22	16	22	31	25
	60	216	41	38	46	38	92	41
	90	324	92	51	104	51	208	53
300	35	126	6	9	9	11	20	19
	70	252	26	30	37	32	81	39
	100	360	53	41	75	43	165	49
	135	486	96	51	137	54	301	59
400	75	270	9	13	15	21	33	30
	130	468	28	31	46	39	98	45
	185	666	56	42	93	50	198	57
	235	846	90	50	150	61	319	67
500	135	486	12	16	15	19	48	35
	210	756	28	32	36	35	116	49
	285	1026	52	42	66	45	213	58
	360	1296	83	50	105	53	340	65
600	220	792	12	18	19	26	49	35
	330	1188	26	32	44	39	111	47
	440	1584	46	42	78	49	197	57
	545	1962	71	50	119	58	303	66
625	250	900	14	21	26	33	64	39
	330	1188	24	31	46	42	111	47
	410	1476	37	39	70	49	171	55
	575	2070	74	50	138	61	336	74

DLQ-ZX (supply air)

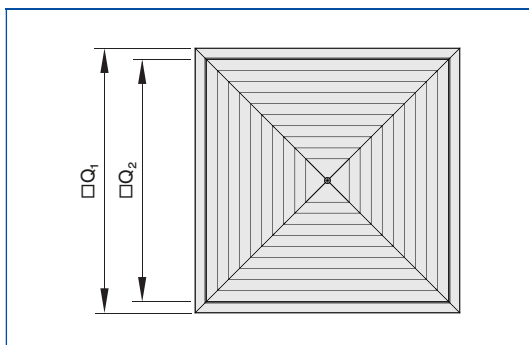
Quick sizing – sound power level and total differential pressure

Nominal size	$\dot{V}$		Damper blade position					
			0°		45°		90°	
	l/s	m <sup>3</sup> /h	$\Delta p_t$	$L_{WA}$	$\Delta p_t$	$L_{WA}$	$\Delta p_t$	$L_{WA}$
			Pa	dB(A)	Pa	dB(A)	Pa	dB(A)
600 625	220	792	31	29	64	41	129	48
	280	1008	50	37	104	49	209	57
	340	1224	73	44	153	56	308	65
	405	1458	104	50	217	64	437	73

1

1

**Diffuser face DLQ**



**Dimensions**

Nominal size	$\square Q_1$	$\square Q_2$	$A_{\text{eff}}$
	mm		$\text{m}^2$
250	248	198	0.0095
300	298	248	0.0175
400	398	348	0.0370
500	498	448	0.0675
600	598	548	0.1100
625	623	573	0.1230

**DLQ-A**

**Variant**

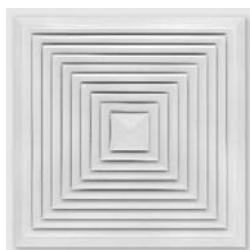
- Ceiling diffuser with square diffuser face

**Nominal sizes**

- 250, 300, 400, 500, 600, 625

**Parts and characteristics**

- Square diffuser face
- Simple installation of the diffuser face due to central fixing screw with decorative cap

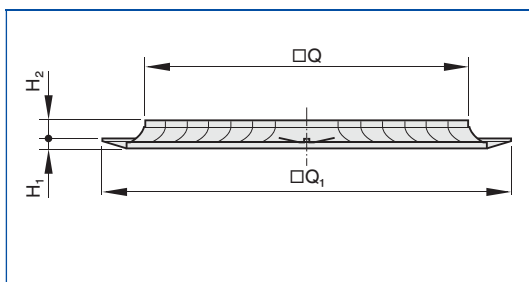


DLQ/600



Order code detail

**DLQ-A**



**Dimensions [mm] and weight [kg]**

Nominal size	$\square Q$	$\square Q_1$	$H_1$	$H_2$	$m$
	mm				kg
250	140	248	13	29	0.8
300	190	298	13	29	1.1
400	290	398	13	29	1.9
500	390	498	13	29	2.8
600	490	598	13	29	4.0
625	515	623	13	29	4.2



### DLQ-AR



Order code detail

### Variant

- Ceiling diffuser with square diffuser face
- With connecting frame

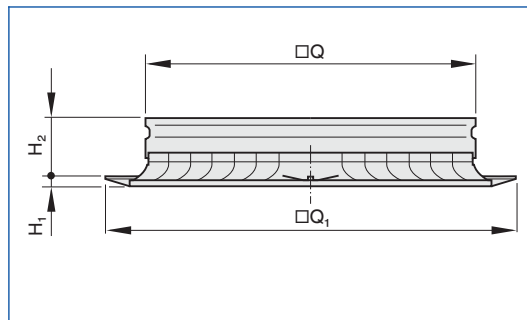
### Nominal sizes

- 250, 300, 400, 500, 600, 625

### Parts and characteristics

- Square diffuser face
- Connecting frame for installation of the diffuser into vertical ducts
- Simple installation of the diffuser face due to central fixing screw with decorative cap

### DLQ-AR



### Dimensions [mm] and weight [kg]

Nominal size	□Q	□Q <sub>1</sub>	H <sub>1</sub>	H <sub>2</sub>	m
	mm				kg
250	143	248	13	52	1.0
300	193	298	13	52	1.4
400	293	398	13	52	2.3
500	393	498	13	52	3.3
600	493	598	13	52	4.6
625	518	623	13	52	4.8

### DLQ-C



DLQ-C/600

- C -

Order code detail

### Variant

- Ceiling diffuser with square diffuser face
- With connecting frame
- With butterfly damper

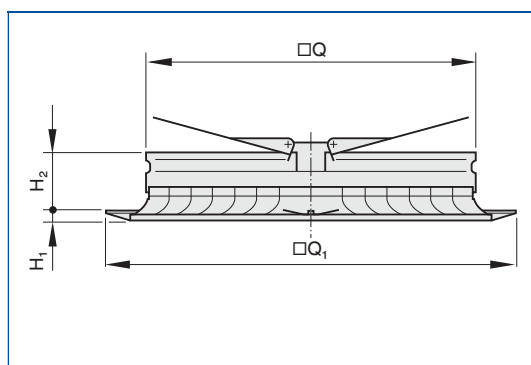
### Nominal sizes

- 250, 300, 400, 500, 600, 625

### Parts and characteristics

- Square diffuser face
- Connecting frame for installation of the diffuser into vertical ducts
- Butterfly damper for volume flow rate balancing
- Simple installation of the diffuser face due to central fixing screw with decorative cap

### DLQ-C



### Dimensions [mm] and weight [kg]

Nominal size	□Q	□Q <sub>1</sub>	H <sub>1</sub>	H <sub>2</sub>	m
	mm				kg
250	143	248	13	52	1.5
300	193	298	13	52	2.1
400	293	398	13	52	3.5
500	393	498	13	52	5.2
600	493	598	13	52	7.4
625	518	623	13	52	7.9

### DLQ-AG



DLQ-AG/600

– AG –

Order code detail

### Variant

- Ceiling diffuser with square diffuser face
- With connecting frame
- With opposed action blades

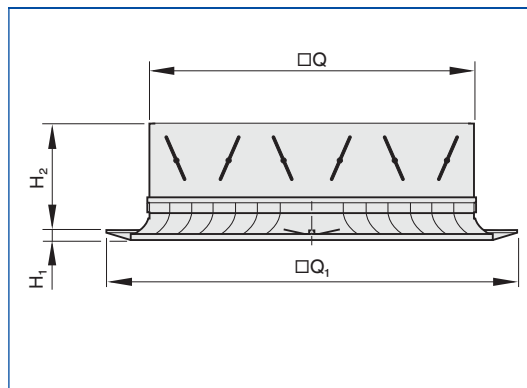
### Nominal sizes

- 250, 300, 400, 500, 600, 625

### Parts and characteristics

- Square diffuser face with fixed air control blades
- Connecting frame for installation of the diffuser into vertical ducts
- Damper blade for volume flow rate balancing
- Simple installation of the diffuser face due to central fixing screw with decorative cap

### DLQ-AG



### Dimensions [mm] and weight [kg]

Nominal size	□Q	□Q <sub>1</sub>	H <sub>1</sub>	H <sub>2</sub>	m
	mm				kg
250	143	248	13	95	1.3
300	193	298	13	95	1.8
400	293	398	13	95	3.1
500	393	498	13	95	4.6
600	493	598	13	95	6.5
625	518	623	13	95	7.2

### DLQ-AK



DLQ-AK-UNI-M-L/600

– AK –

Order code detail

### Variant

- Ceiling diffuser with square diffuser face
- With plenum box for horizontal duct connection

### Nominal sizes

- 250, 300, 400, 500, 600, 625

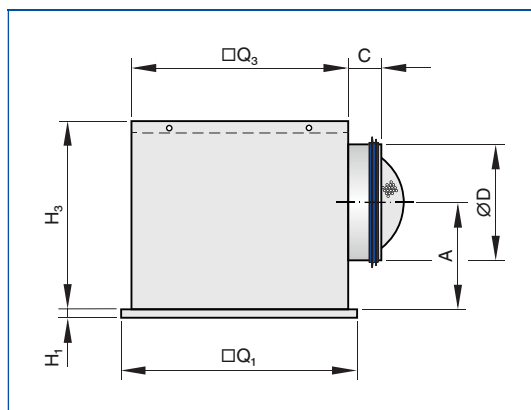
### Parts and characteristics

- Square diffuser face
- Plenum box for horizontal duct connection
- Square opening to accommodate the diffuser face
- Equalising element that ensures a uniform airflow through the diffuser face (supply air variant)
- Simple installation of the diffuser face due to central fixing screw with decorative cap
- Damper blade for volume flow rate balancing (optional)
- Pressure tap and cord-operated damper blade for volume flow rate balancing (optional)
- Lip seal (optional)

### Construction features

- Spigot suitable for circular ducts to EN 1506 or EN 13180

### Square diffuser face with plenum box for horizontal duct connection

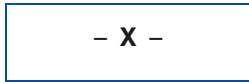


### Dimensions [mm] and weight [kg]

Nominal size	□Q <sub>1</sub>	H <sub>1</sub>	□Q <sub>3</sub>	H <sub>3</sub>	ØD	A	C	Plenum box	m
	mm								kg
250	248	13	216	250	158	139	50	AK-Uni-008	3.0
300	298	13	266	250	158	139	50	AK-Uni-009	3.8
400	398	13	372	295	198	164	50	AK-Uni-002	6.4
500	498	13	476	345	248	189	48	AK-Uni-010	9.4
600	598	13	567	410	313	222	50	AK-Uni-011	13.2
625	623	13	567	410	313	222	50	AK-Uni-011	13.4

Weights apply to the supply air variant

### DLQ-X



Order code detail

### Variant

- Ceiling diffuser with square diffuser face
- With flexible plenum box FLEXTRO

### Nominal sizes

- 600, 625

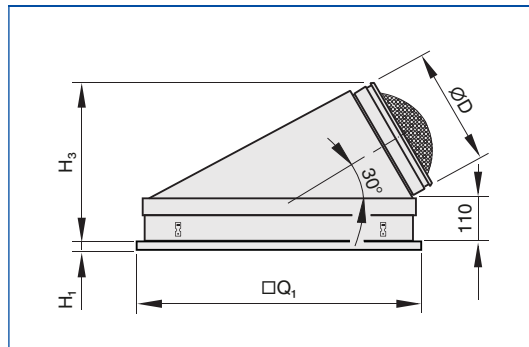
### Parts and characteristics

- Square diffuser face
- Flexible plenum box FLEXTRO
- Square opening to accommodate the diffuser face
- Equalising element that ensures a uniform airflow through the diffuser face (supply air variant)
- Damper blade for volume flow rate balancing, can be set in 15° intervals between 0 and 90°
- Spigot with double lip seal
- Simple installation of the diffuser face due to central fixing screw with decorative cap

### Construction features

- Spigot suitable for circular ducts to EN 1506 or EN 13180
- Spigot with double lip seal

### Square diffuser face with flexible plenum box FLEXTRO



### Dimensions [mm] and weight [kg]

Nominal size	□Q <sub>1</sub>	H <sub>1</sub>	H <sub>3</sub>	ØD	Plenum box	m
	mm					kg
600	598	13	365	248	FLEXTRO-Q-*	8.0
625	623	13	365	248	FLEXTRO-Q-*	8.2

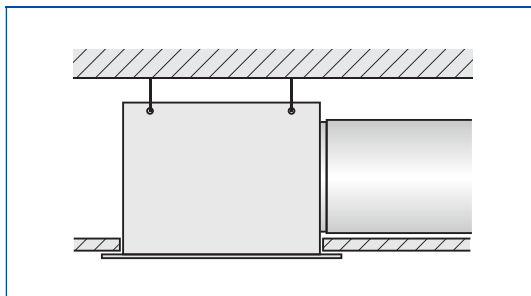
Weights apply to the supply air variant

## 1 Installation types

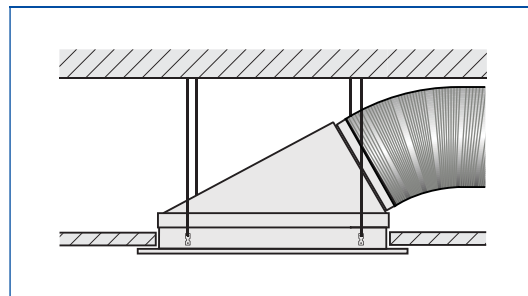
For more installation details see Chapter K1 – 1.6.

These are only schematic diagrams to illustrate installation details.

### Flush ceiling installation with square plenum box

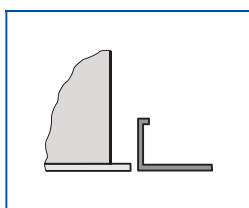


### Flush ceiling installation with plenum box FLEXTRO

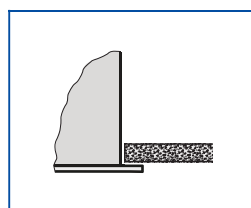


## Ceiling systems

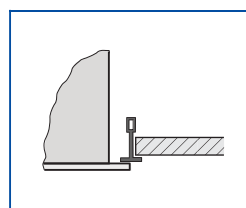
### Grid ceiling



### Continuous ceiling

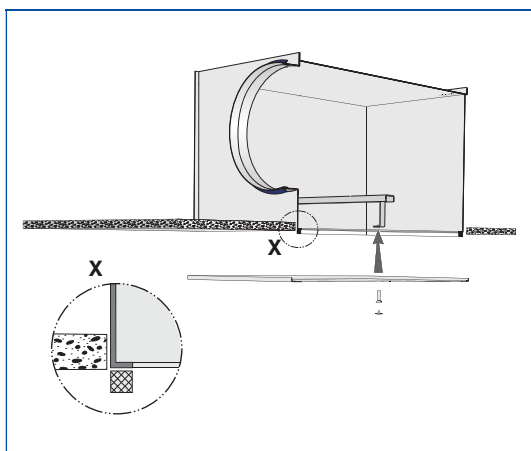


### T-bar ceiling

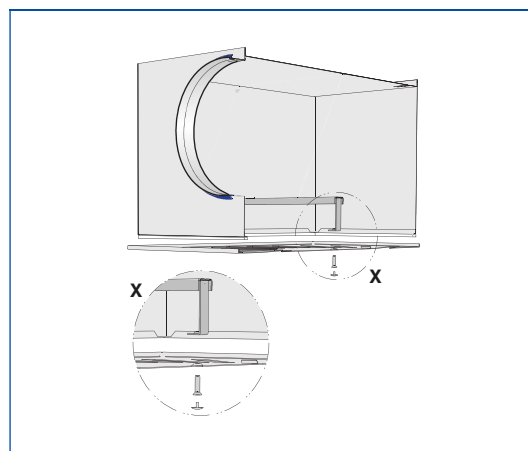


## Diffuser face sealing and fixing

### Diffuser face – sealing

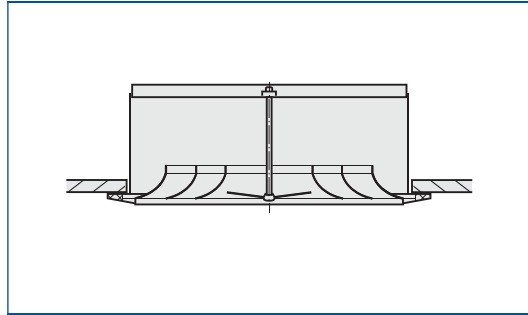


### Diffuser face – central screw fixing



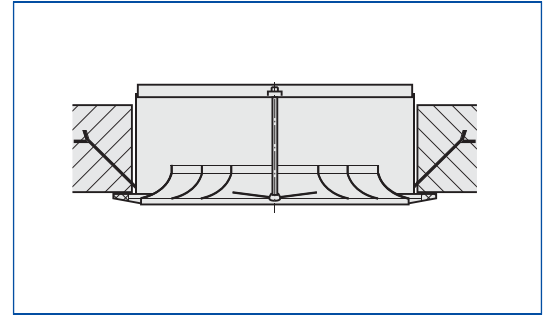
Installation  
without plenum box

Installation with standard cross bar G1,  
screw-fixed to ceiling



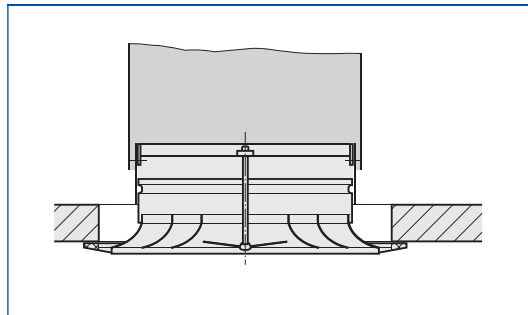
Possible with connection types A, AG, C

Installation with standard cross bar G1,  
with fixing tabs mortared in



Possible with connection types A, AG, C

Installation with duct cross bar E1



Possible with connection types A, AG, C

### Standard text

This specification text describes the general properties of the product. Texts for variants can be generated with our Easy Product Finder design programme.

Ceiling diffusers with square diffuser face. Supply air and extract air variants for comfort zones. Diffuser face with fixed air control blades for horizontal four-way air discharge. For installation into all types of suspended ceilings. Ready-to-install component which consists of the galvanised sheet steel diffuser face with fixed air control blades, a diffuser front frame with perimeter seal and connecting frame, opposed action blades, butterfly damper or a plenum box. Diffuser face suitable for central screw fixing. Sound power level of the air-regenerated noise measured according to EN ISO 5135.

### Special characteristics

- Horizontal four-way supply air discharge
- Diffuser face made of galvanised sheet steel
- For all types of ceiling systems
- Horizontal or vertical duct connection

### Materials and surfaces

- Diffuser face, connecting frame and butterfly damper made of sheet steel
- AK: Plenum box and cross bar made of galvanised sheet steel
- X: Plenum box made of plastic and galvanised sheet steel
- Lip seal made of rubber
- Attachments electrocoated RAL 9005, jet black
- Diffuser face powder-coated RAL 9010, pure white
- P1: Powder-coated, RAL CLASSIC colour

### Technical data

- Nominal sizes: 250, 300, 400, 500, 600, 625 mm
- Minimum volume flow rate: 20 – 250 l/s or 72 – 900 m<sup>3</sup>/h
- Maximum volume flow rate, with L<sub>WA</sub> ≈ 50 dB(A): 575 – 700 l/s or 2070 – 2520 m<sup>3</sup>/h
- Supply air to room air temperature difference: -10 to +10 K

### Sizing data

- $\dot{V}$  \_\_\_\_\_ [m<sup>3</sup>/h]
- $\Delta p_t$  \_\_\_\_\_ [Pa]
- L<sub>WA</sub> Air-regenerated noise \_\_\_\_\_ [dB(A)]

### Order options

#### 1 Type

**DLQ** Ceiling diffuser

#### 2 Connection

- A** Diffuser face only
- AR** Vertical, with connecting frame
- AG** Vertical, with blades (not for nominal size 250)
- C** Vertical, with butterfly damper
- AK** Horizontal, with plenum box
- Only for nominal sizes 600, 625
- ZX** Horizontal, supply air, with flexible plenum box FLEXTRO
- AX** Horizontal, extract air, with flexible plenum box FLEXTRO

#### 3 Damper blade for volume flow rate balancing

- Only for construction AK-Uni
- Included with connection X
- No entry: without damper blade
- M** With damper blade (only for connection type AK-Uni)
- MN** With cords and pressure tap (only for connection type AK-Uni)

#### 4 Accessories

- Included with connection X
- No entry: without accessories
- L** With lip seal (only for connection type AK-Uni)

#### 5 Nominal size [mm]

- 250**
- 300**
- 400**
- 500**
- 600**
- 625**

#### 6 Exposed surface

- No entry: powder-coated RAL 9010, pure white
- P1** Powder-coated, specify RAL CLASSIC colour
- Gloss level
- RAL 9010 50 %
- RAL 9006 30 %
- All other RAL colours 70 %



# Ceiling diffusers

## Basic information and nomenclature



- Product selection
- Principal dimensions
- Nomenclature
- Sizing and sizing example
- Installation information
- Commissioning

# Ceiling diffusers

## Basic information and nomenclature

### Product selection

	Ceiling swirl diffusers								
	AIRNAMIC	VDW	TDV-SilentAIR	RFD	FD	TDF-SilentAIR	VD	VDL	FDE
<b>Diffuser face style</b>									
Circular	●	●	●	●	●	●		●	
Square	●						●		●
<b>Diffuser face</b>									
Circular	●	●	●	●	●	●		●	
Square	●	●	●	●	●	●	●		●
Galvanised sheet steel		●	●	●	●	●		●	●
Aluminium				●			●		
Plastic	●								
<b>Air control blades</b>									
Fixed	●			●	●	●			●
Adjustable		●	●				●	●	
Plastic, black and white		●	●						
<b>Duct connection</b>									
Horizontal	●	●	●	●	●	●	●	●	●
Vertical		●	●	●	●	●	●	●	
FLEXTRO	●	●	●		●	●			
<b>Attachments</b>									
Damper blade	●	●	●	●	●	●			●
Pressure tap		●	●	●	●	●			●
Actuator							●	●	
<b>Accessories</b>									
Lip seal	●	●	●	●	●	●			●
Protective cage							●	●	
Extended border							●	●	
<b>Nominal sizes</b>									
Circular diffuser face	400, 600	300, 400, 500, 600, 625	300, 400, 500, 600, 625		300, 400, 500, 600, 625	300, 400, 500, 600, 625			
Square diffuser face	300, 600, 625	300, 400, 500, 600, 625, 825					425, 600, 775, 1050		600, 625
Spigot*				125, 160, 200, 250, 315, 400				315, 400, 630, 800	250, 315
<b>Technical data</b>									
Volume flow rate range [l/s]	13 – 385	7 – 470	11 – 315	4 – 330	9 – 235	10 – 295	95 – 1490	65 – 1080	51 – 365
Volume flow rate range [m³/h]	47 – 1386	25 – 1692	40 – 1134	14 – 1188	31 – 846	36 – 1026	342 – 5364	234 – 3888	184 – 1314
Supply air to room air temperature difference	-12 – +10 K						-12 – +15 K		-12 – +10 K
●	Possible								
	Not possible								

\*Nominal diameter

# Ceiling diffusers

## Basic information and nomenclature

### Product selection

1

	Design ceiling swirl diffusers		Ceiling swirl diffusers with perforated face plate
	XARTO	ADD	DCS
<b>Diffuser face style</b>			
Circular	●	●	●
Square	●		●
<b>Diffuser face</b>			
Circular	●	●	
Square	●	●	●
Galvanised sheet steel	●	●	●
Aluminium			
Plastic			
<b>Air control blades</b>			
Fixed	●	●	●
Adjustable			
Plastic, black and white			
<b>Duct connection</b>			
Horizontal	●	●	●
Vertical		●	●
FLEXTRO			
<b>Attachments</b>			
Damper blade	●	●	
Pressure tap		●	
Actuator			
<b>Accessories</b>			
Lip seal	●	●	
Protective cage			
Extended border			
<b>Nominal sizes</b>			
Circular diffuser face	600	250, 300, 450, 500, 600	
Square diffuser face	600, 625	250, 300, 450, 500, 600, 625	600, 625
Spigot*		125, 160, 200, 250, 315	125, 160, 200, 250, 315, 400
<b>Technical data</b>			
Volume flow rate range [l/s]	31 – 265	20 – 465	4 – 260
Volume flow rate range [m <sup>3</sup> /h]	110 – 954	72 – 1674	16 – 936
Supply air to room air temperature difference	-12 – +10 K		
●	Possible		
	Not possible		

\*Nominal diameter

# Ceiling diffusers

## Basic information and nomenclature

### Product selection

1

	Ceiling diffusers						
	VDR	ADLQ	DLQ	ADLR	DLQL	DLQ-AK	DLK-Fb
<b>Diffuser face style</b>							
Circular	●			●			
Square		●	●		●	●	●
<b>Diffuser face</b>							
Circular	●			●			
Square		●	●	●	●	●	●
Galvanised sheet steel			●		●	●	●
Aluminium	●	●		●			
Plastic							
<b>Air control blades</b>							
Fixed		●	●	●	●	●	●
Adjustable	●						
Plastic, black and white							
<b>Duct connection</b>							
Horizontal	●	●	●	●	●	●	●
Vertical	●			●	●		
FLEXTRO		●					
<b>Attachments</b>							
Damper blade		●	●	●	●		
Pressure tap		●	●	●			
Actuator	●						
<b>Accessories</b>							
Lip seal		●	●	●	●		
Protective cage							
Extended border							
<b>Nominal sizes</b>							
Circular diffuser face	630, 800			244, 300, 356, 412, 468, 542, 598, 654			
Square diffuser face		250, 300, 400, 500, 600, 625	250, 300, 400, 500, 600, 625	600 625	250, 300, 400, 500, 600	300, 400, 500, 600, 625	600, 625
Spigot*	315, 400, 630, 800						
<b>Technical data</b>							
Volume flow rate range [l/s]	175 – 1495	20 – 665	20 – 700	20 – 650	6 – 285	40 – 565	220 – 460
Volume flow rate range [m³/h]	630 – 5382	72 – 2394	72 – 2520	72 – 2340	22 – 1026	144 – 2034	792 – 1656
Supply air to room air temperature difference	-10 to +15 K	-10 to +10 K					
●	Possible						
	Not possible						

\*Nominal diameter

# Ceiling diffusers

## Basic information and nomenclature

### Principal dimensions

**ØD [mm]**

Outside diameter of the spigot

**ØD<sub>1</sub> [mm]**

Outer diameter of a circular diffuser face

**ØD<sub>2</sub> [mm]**

Diameter of a circular diffuser face style

**ØD<sub>3</sub> [mm]**

Diameter of a circular plenum box

**□Q<sub>1</sub> [mm]**

Outer diameter of a square diffuser face

**□Q<sub>2</sub> [mm]**

Dimensions of a square diffuser face style

**□Q<sub>3</sub> [mm]**

Dimensions of a square plenum box

**H<sub>1</sub> [mm]**

Distance (height) from the lower edge of the suspended ceiling to the lower edge of the diffuser face

**H<sub>2</sub> [mm]**

Height of a ceiling diffuser, from the lower edge of the suspended ceiling to the upper edge of the spigot

**H<sub>3</sub> [mm]**

Height of a ceiling diffuser with plenum box, from the lower edge of the suspended ceiling to the upper edge of the plenum box or of the spigot

**A [mm]**

Position of the spigot, defined by the distance of the spigot centre line to the lower edge of the suspended ceiling

**C [mm]**

Length of the spigot

**m [kg]**

Weight

### Nomenclature

**L<sub>WA</sub> [dB(A)]**

A-weighted sound power level of air-regenerated noise

 **$\dot{V}$  [m<sup>3</sup>/h] and [l/s]**

Volume flow rate

**Δt<sub>z</sub> [K]**

Supply air temperature difference

**Δp<sub>t</sub> [Pa]**

Total differential pressure

**A<sub>eff</sub> [m<sup>2</sup>]**

Effective air discharge area

All sound power levels are based on 1 pW.

# Ceiling diffusers

## Basic information and nomenclature

### 1 Sizing with the help of this catalogue

This catalogue provides convenient quick sizing tables for ceiling diffusers. The tables give supply air volume flow rates for all nominal sizes. The maximum volume flow rates are for an open damper blade. A smaller opening of the damper blade results in higher sound power levels and a higher total differential pressure. The tables show values for damper blade positions 45° and 90°.

Sizing data for other volume flow rates and damper blade positions can be determined quickly and precisely using the Easy Product Finder design programme.

### Sizing example

#### Given data

$\dot{V} = 300 \text{ l/s}$  (1280 m<sup>3</sup>/h)  
 Square ceiling diffuser, steel,  
 with fixed air control blades  
 Maximum sound power level 40 dB(A)  
 with damper blade position 45°  
 Four-way air discharge

#### Quick sizing

Type DLQ  
 Nominal sizes: 600, 625  
 Selected: DLQ/600

### Easy Product Finder



The Easy Product Finder allows you to size products using your project-specific data.

You will find the Easy Product Finder on our website.

The screenshot shows the 'Easy Product Finder' software interface. The main window is titled 'Projekt 1 - TROX Easy Product Finder - Standard des Projektes: Deutschland'. The interface is divided into several sections:

- Project Structure:** Shows 'Projekt 1' and 'Neue Position: Bestellkessel'.
- Product Selection:** A tree view on the left lists various product classes such as 'Luftkurkklasse', 'Drallkurkklasse', 'Deckenluftkurkklasse', 'ADLR, ADLR-Q', 'CENTERFLOW OF HESCO', 'DLQ, ADLQ', 'DULQ', 'PASSCLEAN HESCO', 'PROCONDIF HESCO', 'VEM', 'WAVESTREAM HESCO', 'Sichtkurkklasse', 'Lüftungsgitter', 'Weißmuffusen', 'Quellluftkurkklasse', 'Querschnittkurkklasse', 'Luft-Wasser-Systeme', 'Filter', 'Jalousiekappe', 'Brandschutzklappen', 'TROMMETON', 'Witterschutzgitter', 'Regelgeräte', 'Schallkörper', 'Regelsysteme', 'X-CURE compact', and 'X-FAN'.
- Input Section:**
  - Volume flow rate  $\dot{V}$ : 1.280 [792..2795]
  - Room dimensions (x, y, z): x=6.00 [x2.0], y=1.20 [1.0..2.0], z=3.00 [x1.2]
  - Temperature difference  $\Delta T$ : -8.0 [-12.0..4.0]
- Technical Results:**

Parameter	Value	Unit
$v_{10}$	0.15	m/s
$\Delta p_{10}$	-1.3	K
$v_1$	0.32	m/s
$\Delta p_1$	-1.3	K
- Acoustic Results:**

Parameter	Value	Unit
$L_{WA}$	34	dB(A)
$L_{WNC}$	38	dB(A)
$L_{WNC}$	32	dB(A)
- Visuals:** A 3D rendering of the selected DLQ diffuser is shown in the 'Anwendung/Foto/Video' section.

# Ceiling diffusers

## Basic information and nomenclature

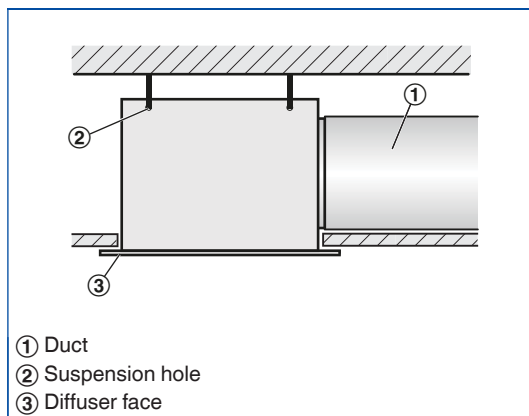
### Description

### Installation information

- Installation and making connections to be performed by others
- The optimum aerodynamic function is only achieved with flush ceiling installation
- The diffuser face is fixed to the plenum box cross bar using the central fixing screw
- Central fixing screw is concealed by a decorative cap

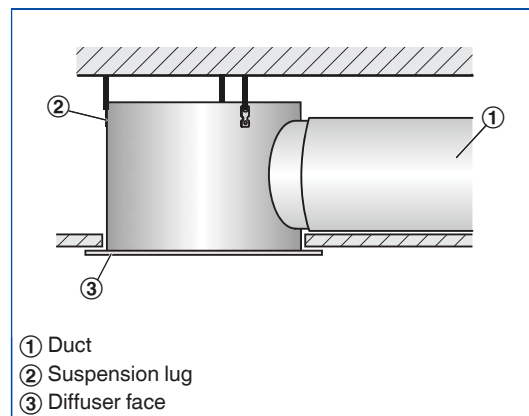
### Installation types

#### Flush ceiling installation with square plenum box



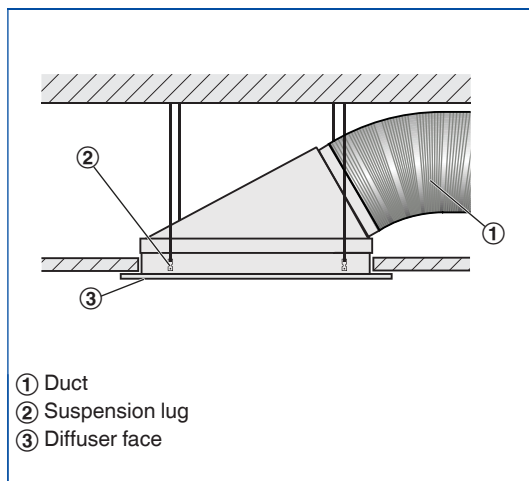
- Horizontal duct connection
- Four suspension holes
- Suspension with cords, wires or hangers, to be provided by others

#### Flush ceiling installation with circular plenum box



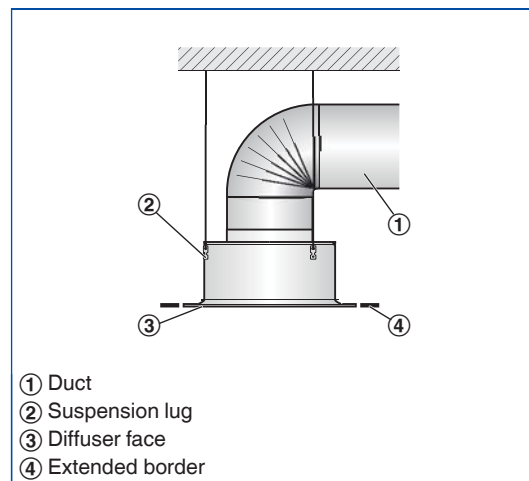
- Horizontal duct connection
- Three suspension lugs
- Suspension with cords, wires or hangers, to be provided by others

#### Flush ceiling installation with plenum box FLEXTRO



- Spigot at 30° angle
- Four suspension lugs
- Suspension with cords, wires or hangers, to be provided by others

#### Freely suspended installation



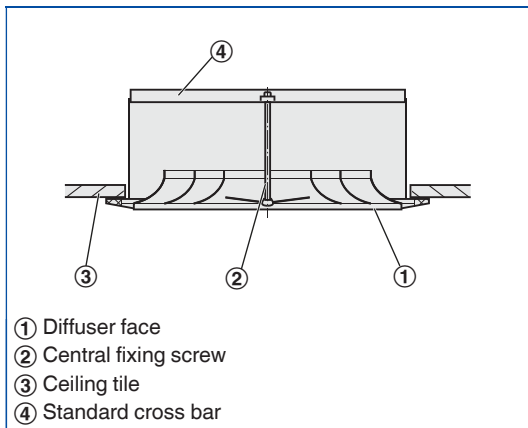
- Vertical duct connection
- Three suspension lugs
- Suspension with cords, wires or hangers, to be provided by others

# Ceiling diffusers

## Basic information and nomenclature

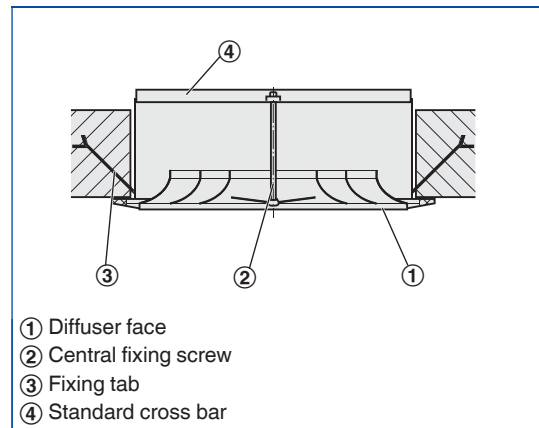
### 1 Installation without plenum box

#### Flush ceiling installation with standard cross bar G1, screw-fixed to ceiling



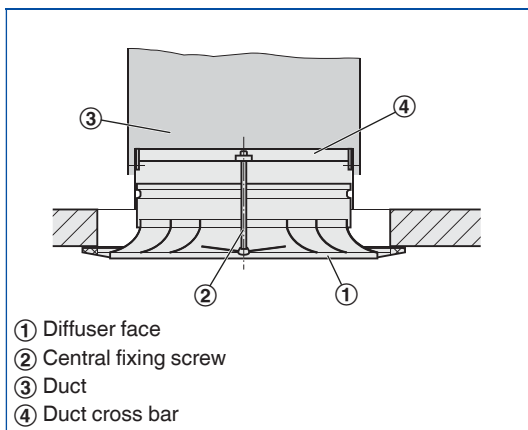
- No spigot
- Fixing of the standard cross bar to the ceiling tile is to be performed by others

#### Flush ceiling installation with standard cross bar G1, with fixing tabs mortared in



- No spigot
- The standard cross bar has to be mortared into the ceiling by others

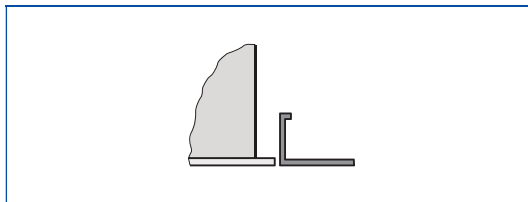
#### Flush ceiling installation with duct cross bar E1



- Vertical duct connection
- Fixing of the duct cross bar to the duct is to be performed by others

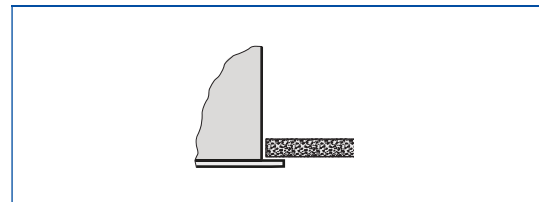
### Ceiling systems

#### Installation into grid ceilings



- Fix the plenum box to the ceiling
- The ceiling tile of the grid ceiling is independent of the ceiling diffuser
- Fix the diffuser face after the ceiling has been completed

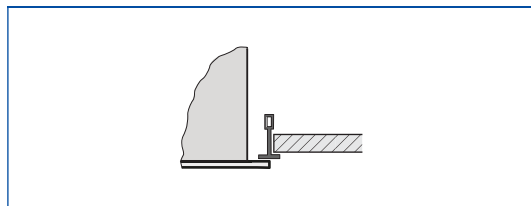
#### Installation in continuous ceilings



- Fix plenum box (including diffuser face, if necessary) to the ceiling
- Adjust plasterboard ceiling tile as required
- If necessary, fix the diffuser face after the ceiling has been completed

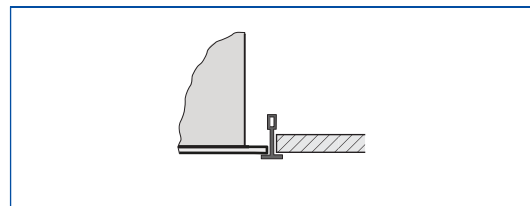


### Installation in T-bar ceilings



- Fix the plenum box to the ceiling
- The T-bar ceiling is independent of the ceiling diffuser
- Fix the diffuser face below the T-bars after the ceiling has been completed

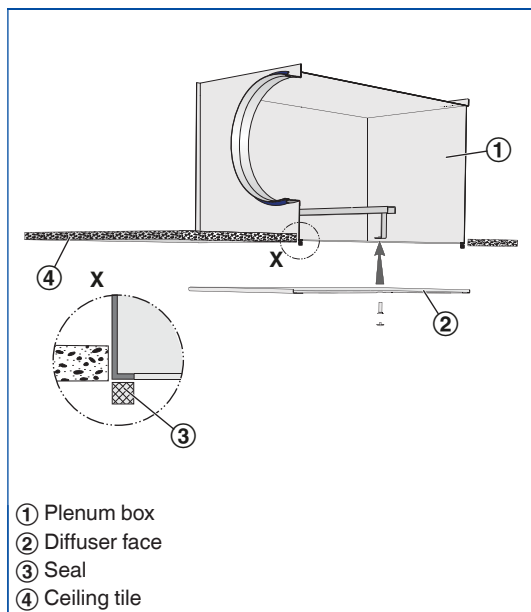
### Installation in T-bar ceilings, diffuser face rests on T-bars



- Fix the plenum box to the ceiling, if necessary
- The diffuser rests on the T-bars

### Diffuser face sealing and fixing

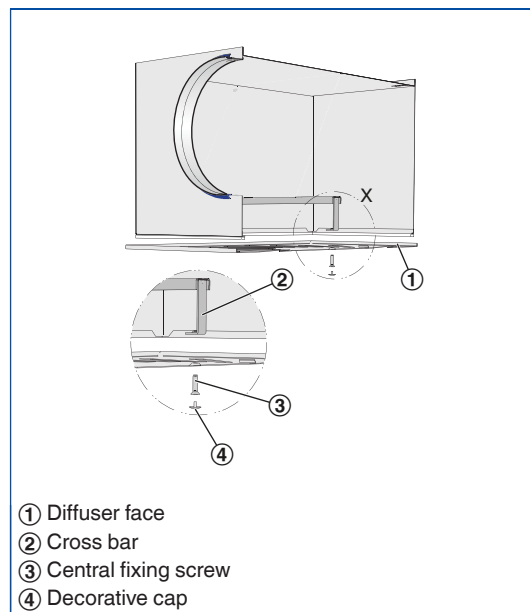
#### Diffuser face – sealing



- ① Plenum box
- ② Diffuser face
- ③ Seal
- ④ Ceiling tile

- The self-adhesive sealing tape (supplied) has to be applied to the return edges of the plenum box by others

#### Diffuser face – central screw fixing



- ① Diffuser face
- ② Cross bar
- ③ Central fixing screw
- ④ Decorative cap

- Using the central fixing screw, fix the diffuser face to the cross bar of the plenum box
- Attach the decorative cap

# Ceiling diffusers

## Basic information and nomenclature

### Commissioning

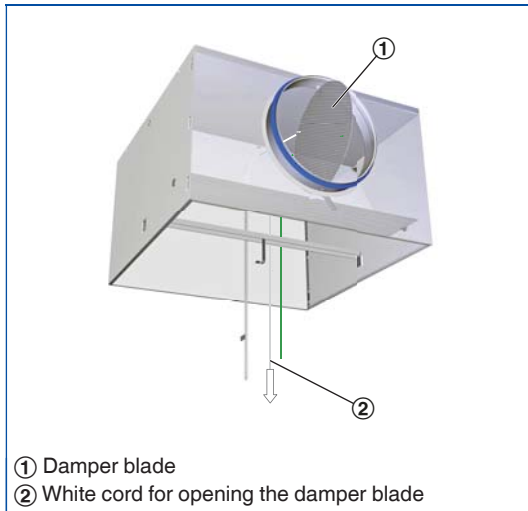
1

#### Volume flow rate balancing

When several diffusers are connected to just one volume flow controller, it may be necessary to balance the volume flow rates.

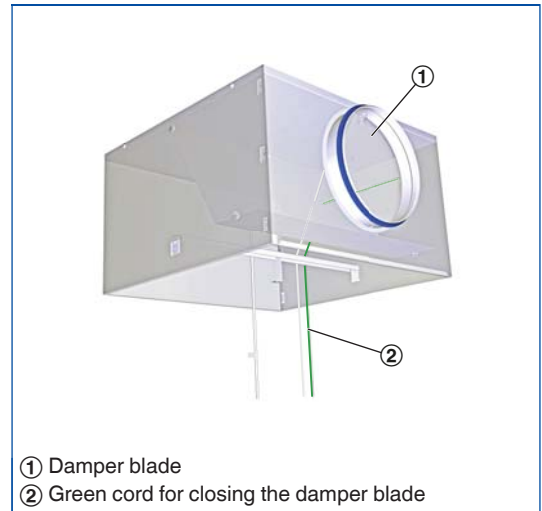
- AIRNAMIC, XARTO, FLEXTRO:  
The diffuser face can be removed to access the damper blade; the damper blade can then be set in 15° intervals between 0 and 90°
- Ceiling diffusers with universal plenum box and damper blade (variant -M):  
The diffuser face can be removed to access the damper blade; the damper blade can then be set to any position between 0 and 90°
- Ceiling diffusers with universal plenum box, damper blade and pressure tap (variant -MN):  
The diffuser face need not be removed since the damper blade can be set with two cords (white and green).

#### AK-Uni-...-MN Volume flow rate balancing



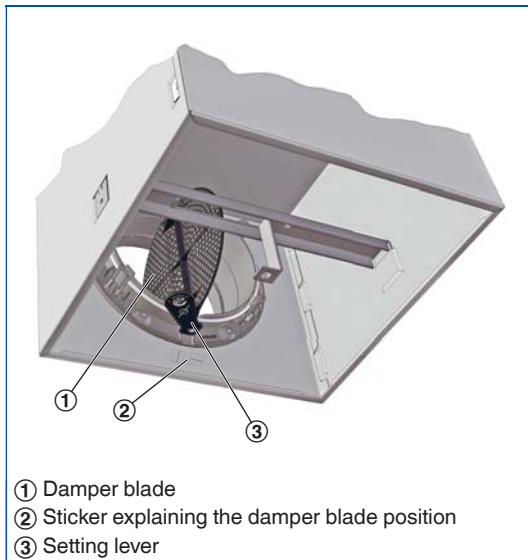
Open, 0°

#### AK-Uni-...-MN Volume flow rate balancing



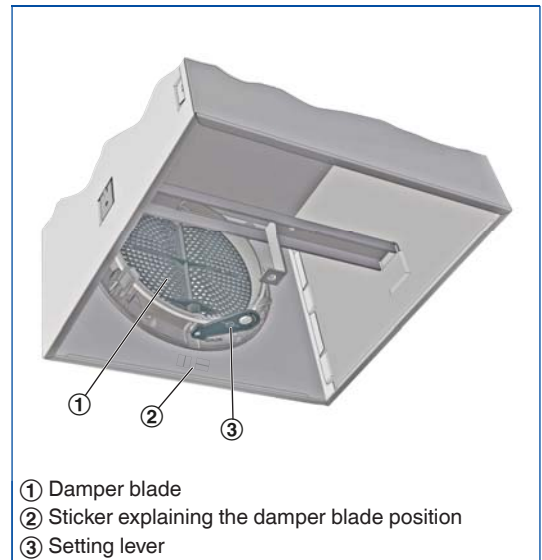
Closed, 90°

#### AIRNAMIC, XARTO, FLEXTRO Volume flow rate balancing



Open, 0°

#### AIRNAMIC, XARTO, FLEXTRO Volume flow rate balancing



Closed, 90°

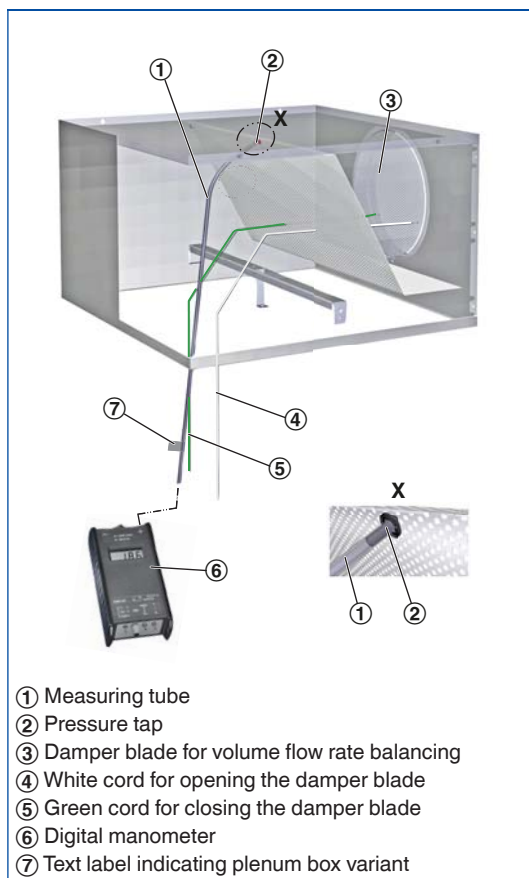
### Volume flow rate measurement

Ceiling diffusers with universal plenum box, damper blade and pressure tap (variant -MN) allow for volume flow rate balancing even with the diffuser face in place.

- Connect the measuring tube to the digital manometer
- Read the effective pressure
- Read the volume flow rate off the characteristic or calculate it
- If necessary, adjust the damper blade position with the cords

A characteristic is included with each AK-Uni plenum box.

### AK-Uni...-MN volume flow rate measurement



For K values for the AK-Uni plenum boxes refer to Chapter K1 – 1.5.

### Volume flow rate calculation for air density 1.2 kg/m<sup>3</sup>

$$\dot{V} = C \times \sqrt{\Delta p_w}$$

### Volume flow rate calculation for other air densities

$$\dot{V} = C \times \sqrt{\Delta p_w} \times \sqrt{\frac{1.2}{\rho}}$$